

Project:	Catalogue #:	Type:
Notes:		

Product Description

The VRF series by Certolux is a specification-grade recessed flanged IC-rated LED luminaire for medium security and vandal resistant applications. The luminaire design has tamper resistant fasteners and security lenses. This maximizes impact resistance and unauthorized fixture tampering/penetration. For use in Wet Locations, insulated ceilings.

Feature Options

- Emergency LED Battery Pack

Housing

Precision formed, TIG welded, one piece 18 gauge cold rolled steel housing. Housing has integrally formed ribs surrounding plenum access cover opening in order to ensure integrity of seal. Welded studs are used in order to mount components, offering superior performance over PEM style fasteners.

Mounting

Swing arm mounting brackets, with vertical adjustability, are used to mount the fixture against the ceiling. Brackets provide an improved continuous seal to plenum eliminating fixture distortion. For Grid earthquake clips provided in lieu of swing arms.

Reflector

Optional VF1 reflectors are available which are made of specular anodized aluminum with a minimum reflectivity of 95% (see product ordering guide).

Door Frame

One piece 60° beveled perimeter door frame, fabricated from specified gauge, cold rolled steel with TIG welded corners. The door assembly is self centering by means of locating studs. It is retained by stainless steel aircraft cable when opened. Continuous retention-mounts mechanically secure and evenly distribute force against the diffuser.

Lens & Lens Retention

Multiple lens choices for both fixture side and room facing side (see product ordering key for options). Lens maximum thickness .625". The lens is secured with adjustable Z style brackets with through studs on housing faceplate.

Finish

The luminaire is in a powder painted white finish and offers a high reflectivity coating for improved lighting performance and efficiency.

Electrical

Long life LED's coupled with high efficiency drivers provide quality illumination. Rated to deliver an L80 performance >50,000 hours. The standard driver has a THD of <10%. Standard low voltage dimming (0-10v, 1%). All electrical components are CSA or UL approved.

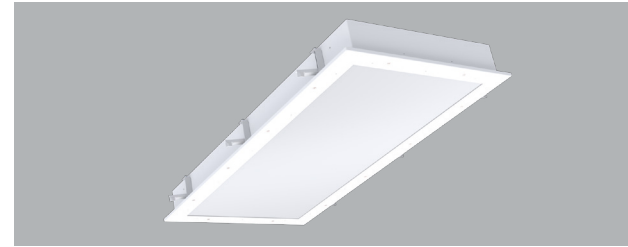
Warranty

5 year limited warranty. For complete warranty, click here:

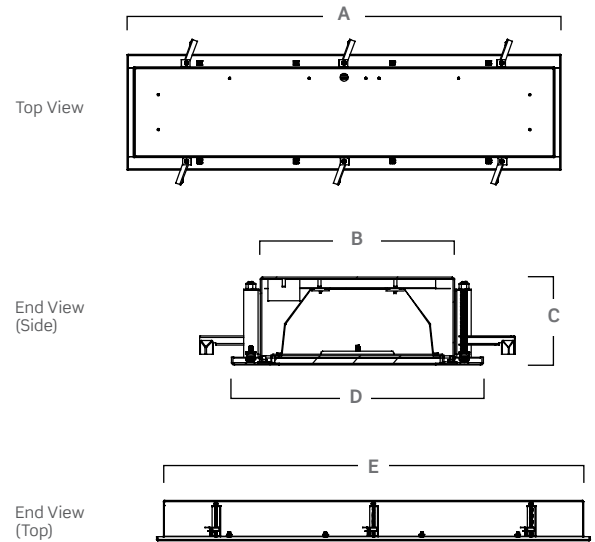


Approvals

- Approved to CSA and UL standards.
- UL listed for wet locations, insulated ceilings.



Dimensions



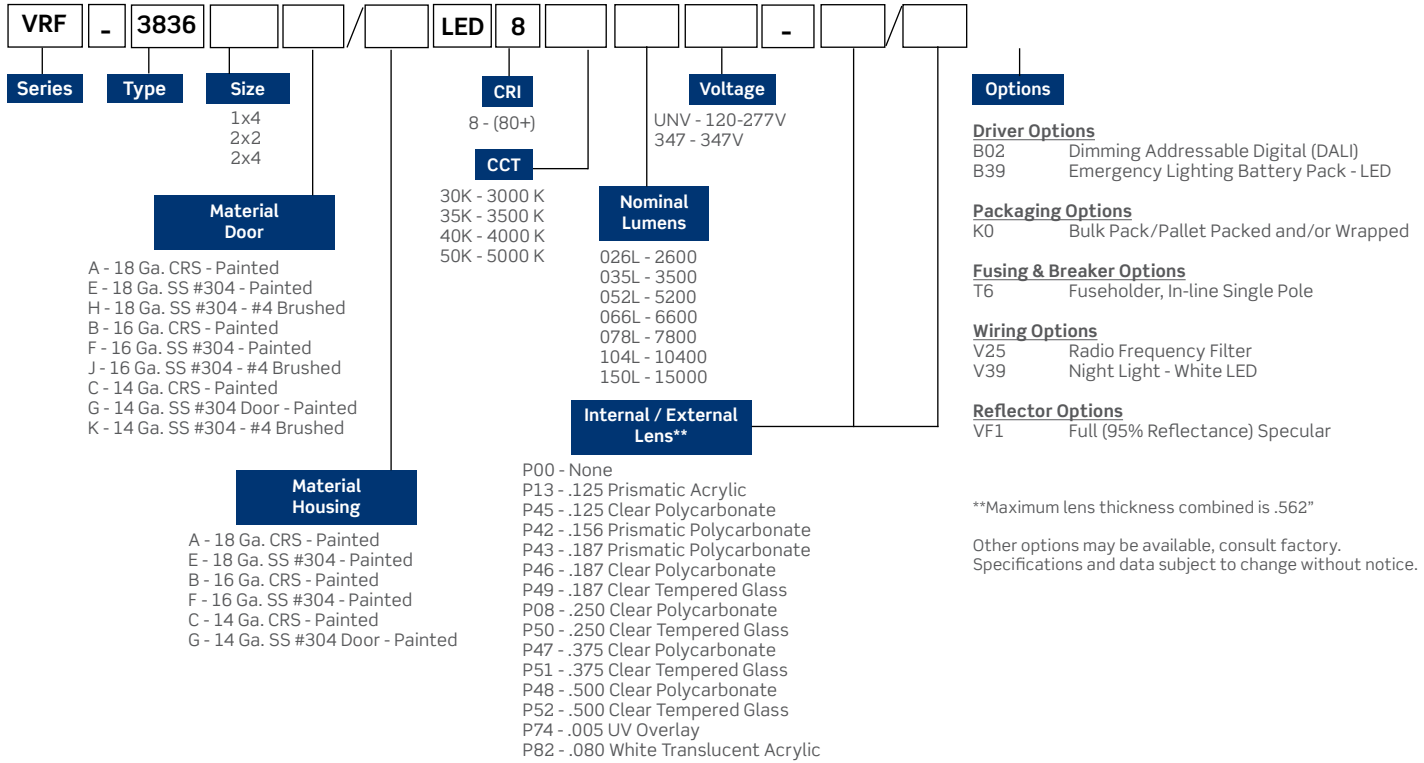
	Dimensions (inch) & Weights				
	A	B	C	D	E
1x4	49.50"	12.00"	4.60"	13.25"	48.00"
2x2	25.50"	22.75"	4.60"	24.00"	24.00"
2x4	49.50"	22.75"	4.60"	24.00"	48.00"

Consult installation guide for exact dimensions.

Project:	Catalogue #:	Type:
Notes:		

Order Key

EXAMPLE: VRF-38362A/BLED840K026LUNV



Performance Data		
Size	Nominal Lumens	Watts
1x4	2600	25
	5200	47
	7800	75
	10400	98
2x2	2600	25
	3500	33
	5200	47
	6600	63
2x4	5200	47
	7800	75
	10400	98
	15000	147

* Lumen values are based on 4000K, 80 CRI performance. See Lumen Multipliers below for other CCT or CRI performance data.