

Project:	Catalogue #:	Type:
Notes:		

### Product Description

The VRIF series by Certolux is a specification-grade, LED luminaire which provides a cost-effective vandal resistant lighting solution. Designed as a sealed Ambient light for behavioural health applications. Suitable for wet locations and high abuse.

### Feature Options

- Emergency LED Battery Pack
- IP65 option available

### Housing

Precision formed, code gauge cold rolled steel. Wiring access plate or knockouts are provided on back of housing, for flexible conduit attachment.

### Mounting

The housing is supported by swing style mounting brackets.

### Lens

Linear prismatic extruded frosted acrylic diffuser offer high levels of efficiency and visual comfort. The single piece 16ga aluminum door frame with .125" clear polycarbonate lens is sealed and gasketed for an IP65 rating and allows for easy cleaning.

### Finish

White, polyester powder painted housing.

### Electrical

Long life LED's coupled with high efficiency drivers provide quality illumination. Rated to deliver an L80 performance >50,000 hours. The standard driver has a THD of <20%. Standard lowvoltage dimming (0-10v, 1%). All electrical components are CSA or UL approved.

### Warranty

5 year limited warranty. For complete warranty, click here:

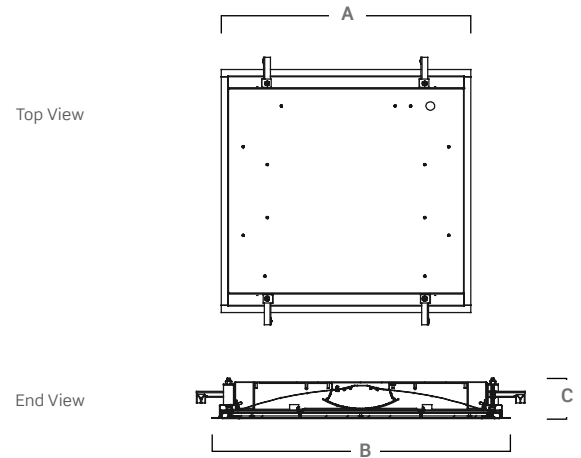


### Approvals

- CSA and UL listed.
- UL listed for insulated ceilings, wet locations, insulated ceilings.



### Dimensions



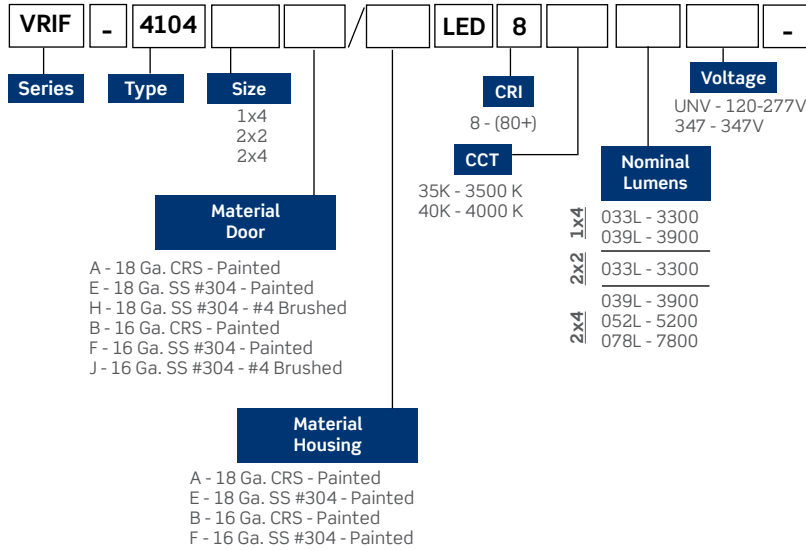
	Dimensions (inch) & Weights		
	A	B	C
1x4	49.3"	12.7"	3.0"
2x2	23.5"	24.7"	3.0"
2x4	49.3"	24.7"	3.0"

Consult installation guide for exact dimensions.

Project:	Catalogue #:	Type:
Notes:		

**Order Key**

**EXAMPLE: VRIF-41042x4H/ALED840K052LUNV**



**Options**

**Driver Options**

- B02 Dimming Addressable Digital (DALI)
- B39 Emergency Lighting Battery Pack - LED

**Finish Options**

- F06 Snow White
- F09 Easy White
- F37 Easy White Antimicrobial
- F36 Snow White Antimicrobial

**Packaging Options**

- K0 Bulk Pack/Pallet Packed and/or Wrapped

**Door Lens Options**

- .125 Clear Polycarbonate is standard
- P08 .250 Clear Polycarbonate
- P47 .375 Clear Polycarbonate

**Fusing and Breaker Options**

- T6 Fuseholder, In-line Single Pole

**Wiring Options**

- V25 Radio Frequency Filter
- V39 Night Light - White LED
- V40 Low Voltage Controller

**Approvals Options**

- X8 IP65 Rated

Other options may be available, consult factory. Specifications and data subject to change without notice.

Performance Data		
Size	Nominal Lumens	Watts
1x4	3300	31
	3900	36
2x2	3300	31
2x4	3900	36
	5200	47
	7800	75

\* Lumen values are based on 4000K, 80CRI performance. See Lumen Multipliers below for other CCT or CRI performance data.