

Project	
Type	
Date	
Product Code	
Approved by	

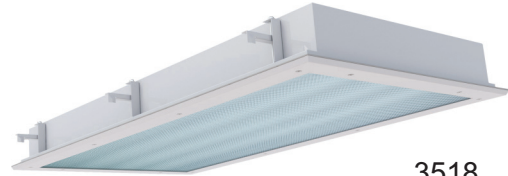
SAF 2X4 - Superseal Alpha Flanged - Cleanroom

Recessed Premium Flanged Overlapping Door
Cleanroom Luminaire
T5, T5HO, T8, T8U2, T8U6, and PLL Lamps
Suitable for ISO Class 4 - 8 Cleanrooms

Cleanroom

Product Specifications - Application

The SAF series by Certolux is a specification-grade, recessed flanged IP65, IP66 luminaire, for ISO Class 4 Cleanrooms. Available in 2x4 configurations. For use in hazardous locations Class I Div 2, Class II Div 2, Class III (consult ordering key for configurations). NSF/ANSI 2 Food Zone Non-contact and Splash Zone Applications.



3518

Product Specifications

Housing

Precision formed, TIG welded, one piece 18 gauge cold rolled steel housing. Housing has integrally formed ribs surrounding plenum access cover opening in order to ensure integrity of seal. Welded studs are used in order to mount components, offering superior performance over PEM style fasteners.

Mounting

Swing arm mounting brackets, with vertical adjustability, are used to mount the fixture against the ceiling. Brackets provide an improved continuous seal to plenum eliminating fixture distortion.

Reflector

Optional VF1 reflectors are available which are made of specular anodized aluminum with a minimum reflectivity of 95% (see product ordering guide).

Door Frame

One piece 60° beveled perimeter door frame, fabricated from 18 gauge, cold rolled steel with TIG welded corners. The door assembly is self centering by means of locating studs. It is retained by stainless steel aircraft cable when opened. Specialized, military grade, flat head, stainless steel, captive fasteners with integral silicone o-rings easily secure door frame to housing through use of floating cage nuts. Silicone o-rings offer superior performance and longer life over comparable teflon bushings. Protective stops prevent the fasteners from being over-tightened and bending the lens door frame. Custom shaped, extruded closed cell silicone gasketing is used throughout to ensure precise, redundant seals between door assembly, housing and plenum. Vulcanized corners ensure continuity of the seal on the frame gasket. Continuous retention-mounts mechanically secure and evenly distribute force against both gasketing and diffuser.

Lens and Lens Retention

The standard lens assembly is made with a tempered safety glass sealed to the lens frame with a non-silicone sealant together with an overlay of a pattern #12 acrylic lens, mechanically secured.

Finish

The luminaire is in a polyester powder painted white finish.

Approvals

Approved to CSA and UL standards. For hazardous locations (consult ordering key for configurations).



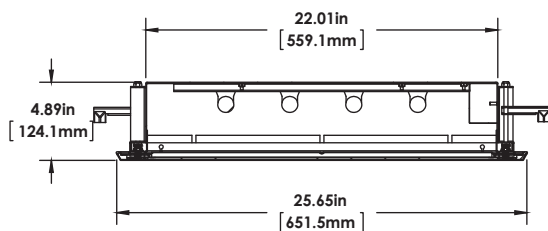
Electrical

All electrical components are CSA or UL approved. See product ordering guide for optional ballasts. Sufficient knockouts are provided for connections and through wiring.

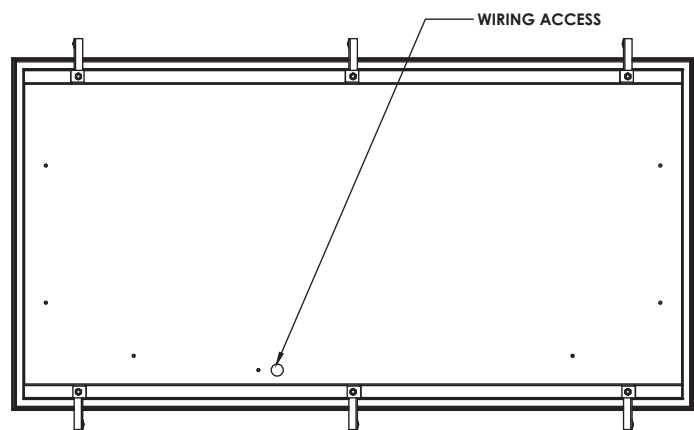
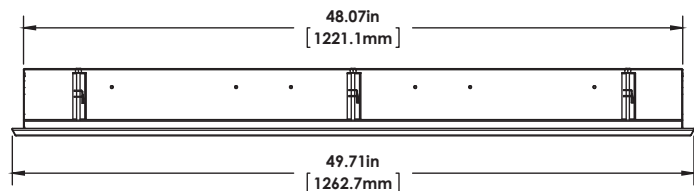
Photometrics

Efficiency of Cat No SAF2X44LT832 = 69.4% for additional photometric information visit www.certolux.com

Dimensions



CROSS SECTION



TOP VIEW

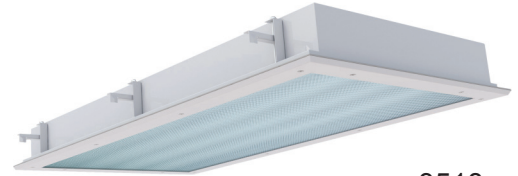
Project	
Type	
Date	
Product Code	
Approved by	

SAF 2X4 - Superseal Alpha Flanged - Cleanroom

Recessed Premium Flanged Overlapping Door
Cleanroom Luminaire
T5, T5HO, T8, T8U2, T8U6, and PLL Lamps
Suitable for ISO Class 4 - 8 Cleanrooms

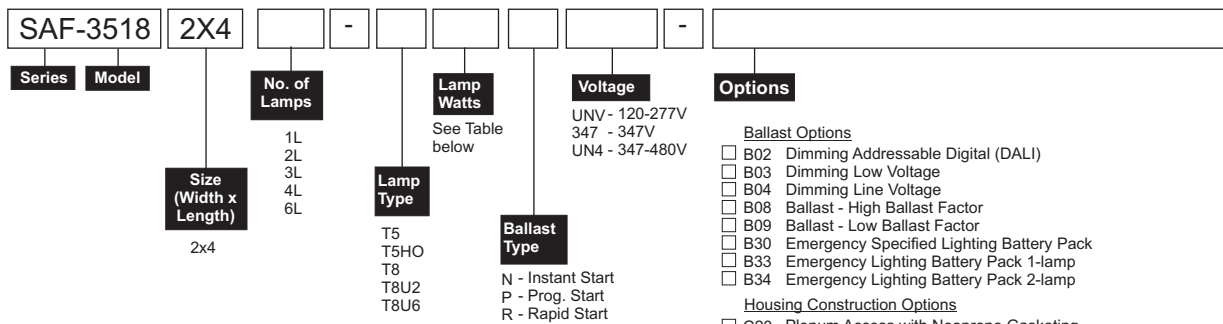
Product Specifications - Application

The SAF series by Certolux is a specification-grade, recessed flanged IP65, IP66 luminaire, for ISO Class 4 Cleanrooms. Available in 2x4 configurations. For use in hazardous locations Class I Div 2, Class II Div 2, Class III (consult ordering key for configurations). NSF/ANSI 2 Food Zone Non-contact and Splash Zone Applications.



3518

Ordering



Model Numbers relate to specific designs, refer to product photo and Dimension sections for additional details.

Lamp Watts

Size	Nom. Lamp Watts				
	T5	T5HO	T8	T8U2	T8U6
2x4	28 (2,3,4 lamps)	54 (2,3,4 lamps)	32 (2,3,4 lamps)	31 (4, or 6 lamps)	32 (2 or 4 lamps)

- Options**
- Ballast Options**
 - B02 Dimming Addressable Digital (DALI)
 - B03 Dimming Low Voltage
 - B04 Dimming Line Voltage
 - B08 Ballast - High Ballast Factor
 - B09 Ballast - Low Ballast Factor
 - B30 Emergency Specified Lighting Battery Pack
 - B33 Emergency Lighting Battery Pack 1-lamp
 - B34 Emergency Lighting Battery Pack 2-lamp
 - Housing Construction Options**
 - C20 Plenum Access with Neoprene Gasketing
 - C21 Plenum Access with Silicone Gasketing
 - C38 Housing Aluminum .050 Painted
 - C56 Housing Extended Flange
 - Door Frame Options (painted CRS is standard)**
 - D3 Door Frame Stainless Steel (#304)
 - D9 Door Frame Stainless Steel (#316)
 - D10 Door Frame Aluminum .063 Painted
 - D17 Door Frame SS (#304) Painted
 - D18 Door Frame SS (#316) Painted
 - Packaging Options**
 - K0 Pack Bulk
 - Mounting Options**
 - M38 Mounting Plaster Frame Kit (Stainless Steel #316)
 - M62 Mounting Swing Arm for 4' Deep Ceiling (Note: Housing Depth increases by 1.5")
 - Lens and Shielding Options (Clear Tempered Glass w/Pattern 12 Prismatic Acrylic overlay is standard)**
 - P56 Lens Clear Acrylic
 - P06 Lens Clear Glass Tempered
 - P11 Lens .156 Acrylic - P19
 - P13 Lens Prismatic Acrylic - P12 .125" Thick
 - P14 Lens Clear Glass Tempered with Prismatic Acrylic Overlay
 - P15 Lens Prismatic High Impact Acrylic - P12 .125" Thick
 - P16 Lens Prismatic Polycarbonate - P12
 - P18 Lens Ultra Violet Filter
 - Reflector Options**
 - VF1 Reflector VF1 Specular (95% Reflectance) Aluminum
 - Fusing and Breaker Options (select one only)**
 - T6 Fuseholder, In-line Single Pole
 - Wiring Options**
 - V25 Radio Frequency Filter
 - Approval and Rating Options**
 - X1 Class I Div 2 Groups A,B,C,D
 - X3 Class II Div 2 Groups F,G
 - X4 Class III
 - X5 NSF (National Sanitation Foundation)

Other options may be available consult factory.
Specifications and data subject to change without notice

