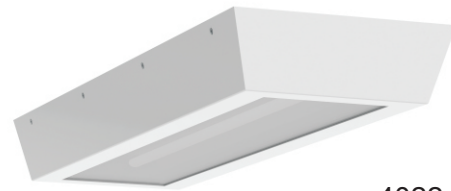


Project	
Type	
Date	
Product Code	
Approved by	

VRS 1x2,1x4 - Confinement

Ceiling Mount Luminaire
T5, T5HO, T8, PLL Lamps
(Cells, Corridors, Dayrooms)



4022

Product Specifications - Application

The VRS series by Certolux is a specification-grade luminaire for maximum security and vandal resistant applications. The clamshell design has concealed hinges, tamper resistant fasteners, contraband trapping backplate, and security lenses. This maximizes impact resistance, prevents contraband concealment and unauthorized fixture tampering/penetration.. The luminaire can be ceiling mounted.

Product Specifications

Housing

Precision die formed 12, 14, 16 ga cold rolled steel housing with 12 ga continuously welded end plates.

Backplate

Die formed 12, 14 ga CRS with embossed mounting holes and contraband trap.

Door Frame

Single piece precision die formed with specified material (see product ordering key). Corners are seam welded. Tamper resistant TORX® Head with center pin fasteners secure door frame to housing.

Hinge

Full Length concealed piano style hinge with .500" knuckle and .125" pin (Pin is secured to knuckle) welded to door frame and fastened to backplate.

Lens and Lens Retention

Multiple lens choices for both fixture side and room facing side (see product ordering key for options). Lens maximum thickness .625". The lens is secured with adjustable V style brackets with through studs on housing faceplate.

Finish

The luminaire is in a powder painted white finish and offers a high reflectivity coating for improved lighting performance and efficiency.

Electrical

All electrical components are CSA or UL approved. Lamp holders provided ensure positive lamp retention. Standard electronic ballasts are programmed or rapid start, with a THD of less than 20%. Luminaires are provided with an access plate, to facilitate wiring to external power source.

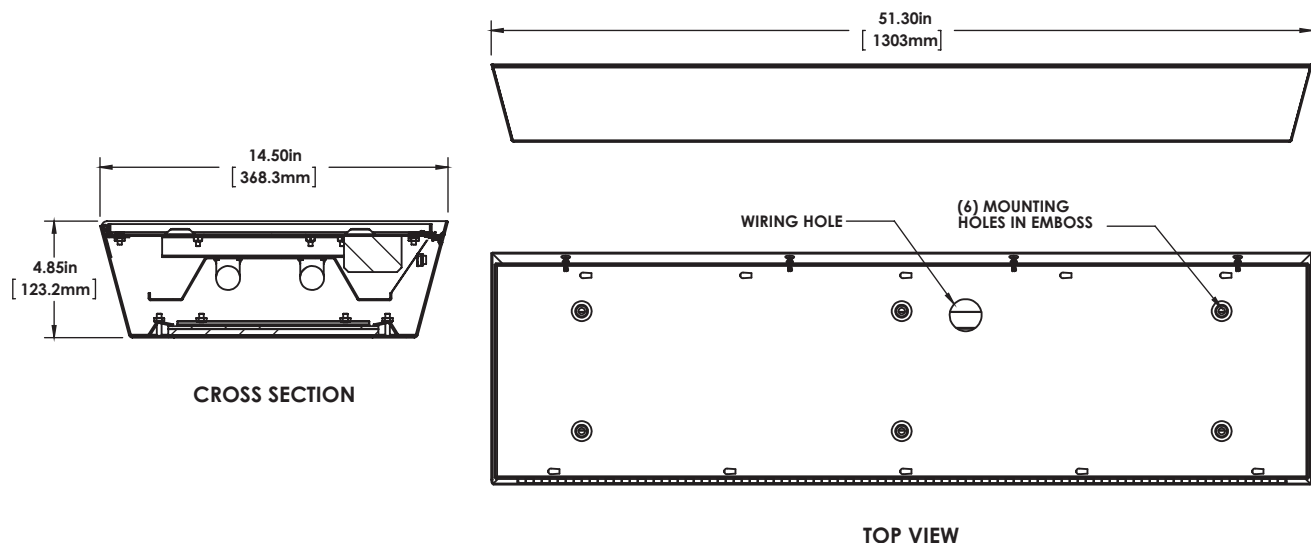
Approvals

Approved to CSA and UL standards.



Vandal Resistant

Dimensions



Project	
Type	
Date	
Product Code	
Approved by	

VRS 1x2,1x4 - Confinement

Ceiling Mount Luminaire
T5, T5HO, T8, PLL Lamps
(Cells, Corridors, Dayrooms)



4022

Product Specifications - Application

The VRS series by Certolux is a specification-grade luminaire for maximum security and vandal resistant applications. The clamshell design has concealed hinges, tamper resistant fasteners, contraband trapping backplate, and security lenses. This maximizes impact resistance, prevents contraband concealment and unauthorized fixture tampering/penetration.. The luminaire can be ceiling mounted.

Ordering

VRS-4022		/		-				-	/		
Series	Model	Size (W x L)	No. of Lamps	Lamp Type	Voltage	Internal Lens	External Lens	Options			
		1x2 1x4	2L 3L	T5 T5HO T8 PLL	120 - 120V 277 - 277V 347 - 347V UNV - 120-277V UN4 - 347-480V +			Ballast Options			
								<input type="checkbox"/> B01 Ballast Disconnect - In-line Power Disconnect (CSA-UL Req'd For Voltages above 150v)			
								<input type="checkbox"/> B02 Dimming Addressable Digital (DALI)			
								<input type="checkbox"/> B03 Dimming Low Voltage			
								<input type="checkbox"/> B08 Ballast - High Ballast Factor			
								<input type="checkbox"/> B09 Ballast - Low Ballast Factor			
								<input type="checkbox"/> B30 Emergency Specified Lighting Battery Pack 1-lamp			
								<input type="checkbox"/> B33 Emergency Lighting Battery Pack 1-lamp			
								<input type="checkbox"/> B34 Emergency Lighting Battery Pack 2-lamp			
								Housing Construction Options			
								<input type="checkbox"/> C29 Housing Wet Location			
								Packaging Options			
								<input type="checkbox"/> K0 Pack Bulk/Pallet Packed and/or wrapped			
								<input type="checkbox"/> K1 Pack Single			
								Fusing and Breaker Options			
								<input type="checkbox"/> T6 Fuseholder, In-line Single Pole			
								Wiring Options			
								<input type="checkbox"/> V22 Night Light - Compact Fluorescent			
								<input type="checkbox"/> V25 Radio Frequency Filter			
								<input type="checkbox"/> V39 Night Light - White LED			
								Reflector Options			
								<input type="checkbox"/> VF1 Full (95% Reflectance) Specular			
								Approvals Options			
								<input type="checkbox"/> X7 Dual CSA/USA			
								<input type="checkbox"/> X12 IP55 rated			
								Lamp Options			
								<input type="checkbox"/> Z1 Lamps Installed (Specify Type)			

Door/Housing Gauge	
A - 16 Ga. CRS (Painted)	
B - 16 Ga. CRS (Painted)	
C - 14 Ga. CRS (Painted)	
D - 12 Ga. CRS (Painted)	
F - 16 Ga. SS #304 (Painted)	
G - 14 Ga. SS #304 (Painted)	
J - 16 Ga. SS #304 (#4 Brushed)**	
K - 14 Ga. SS #304 (#4 Brushed)**	
** Not Available as Housing Material	

Ballast Type	
N - Instant Start	
P - Prog. Start	
R - Rapid Start	

Lamp Watts	
See Table below	

Internal/External Lens	
P00 - None	
P13 - .125 Prismatic Acrylic	
P45 - .125 Clear Polycarbonate	
P42 - .156 Prismatic Polycarbonate	
P43 - .187 Prismatic Polycarbonate	
P46 - .187 Clear Polycarbonate	
P49 - .187 Clear Tempered Glass	
P08 - .250 Clear Polycarbonate	
P50 - .250 Clear Tempered Glass	
P47 - .375 Clear Polycarbonate	
P51 - .375 Clear Tempered Glass	
P48 - .500 Clear Polycarbonate	
P52 - .500 Clear Tempered Glass	
P74 - .005 UV Overlay	

Note: Maximum lens thickness combined is .625"

Model Numbers relate to specific designs, refer to product photo and Dimension sections for additional details.

Lamp Watts

Size	Nom. Lamp Watts			
	T5	T5HO	T8	PLL
1x2	14 (2,3 lamps)	24 (2,3 lamps)	17 (2,3 lamps)	40 (2,3 lamps)
1x4	28 (2,3 lamps)	54 (2,3 lamps)	32 (2,3 lamps)	

+ T5HO Lamps only

Other options may be available consult factory. Specifications and data subject to change without notice



Vandal Resistant