

Project:	Catalog #:	Type:
Notes:		

Product Description

The MDW series of low-profile headwall luminaires is perfect for the contemporary patient room. It has smooth surfaces and hygienic design to reduce cleaning efforts. A low-glare optical system is engineered to satisfy the visual tasks and the comfort of staff and patients. Available in two-, three- and four-foot lengths. Each aperture can be specified with its own independent color temperature and color rendering index for accurate examinations and comfortable ambient illumination. The ambient uplight and exam downlight are separately controlled and dimmable. An optional low voltage controller is also available for connection to a nurse call system or bed switches. Night observation lighting can be supplied by an optional, separately switchable, low-lumen source.



Features

- Exam, ambient and night observation modes
- Available in 2, 3 & 4 foot lengths
- Provides up to 13,000 lumens
- Easily cleanable contoured shape
- Anti-microbial finish standard
- Extends less than 7 inches from the wall

Feature Options

- Low Voltage Controllers with Dimming
- Simple Pull Chain Controls
- Amber or White Night Observation Light

Approvals

- Certified for safety by ETL and is suitable for damp locations.



Housing

Extruded aluminum contoured enclosure covers a concealed, reinforced heavy gauge steel mounting bracket. Hidden hardware secures enclosure to wall. Tight-fitting aluminum die-cast end caps.

Lens & Lens Retention

Extruded high impact diffuse acrylic lenses with a smooth outer surface and internal optical ribs. Secured flush to housing and endcaps for easy cleaning.

LED / Light Engine

LED board modules are high efficiency and closely regulated to maintain CRI, color consistency, lumen performance, and efficacy. Select from 3000K, 3500K, 4000K, and 5000K color temperatures with a color consistency of 3 SDCM, standard 80+ CRI, optional 90+ CRI. Lifetime L70 is greater than 60,000 hrs. Modules are field replaceable and commercially available. Optionally available low lumen white and amber LEDs night observation light with a separately controlled driver.

Electrical / Driver

The standard electronic driver is constant current, programmable and dimmable to 1% using a 0-10V protocol. High efficiency (>85%) and low THD (<10%). Certified to FCC Part 15, Class A. 120-277Vac or 347Vac, 50/60hz. See "Options" for Lutron™ or DALI driver choices. Internal Emergency Drivers are serviceable from the room side.

Controls

Optional low voltage controller available for pillow switch operation Two types of controllers are available: switch-mode (on/off) or with dimming control. (See ordering key for options. Pillow switch by others.) Pull chain switches are also available to control sequentially in four modes. (See Chart) They can also be specified as installed on left side or right side of fixture. See notes regarding switch selection. Antimicrobial switch tethers are available as an accessory.

Installation

Rigid galvanized steel mounting plate allows easy installation over a standard recessed junction box. Vertical and horizontal slots allow for adjustment and leveling. Reinforced ribs add strength to resist displacement.

Finish

Antimicrobial matte white polyester powder coating for all exterior visible surfaces. 5 stage pretreatment and coated after fabrication. Rated 1000hr salt spray. Gloss white antimicrobial finishes are also available. (See finish options).

Sustainability

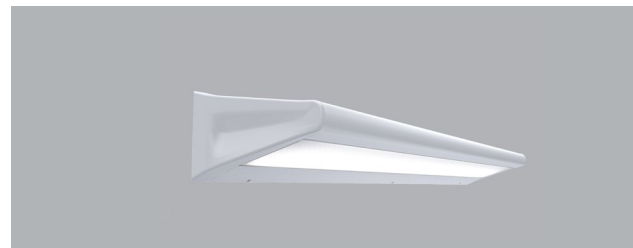
LED modules are field replaceable and commercially available and meet requirements of Zhaga™ Book 7. This provides an assurance of future availability of compatible replacement components. Housing materials are comprised of 100% recyclable materials, with over 60% of which is previously recycled materials.

Listings, Certifications and Ratings

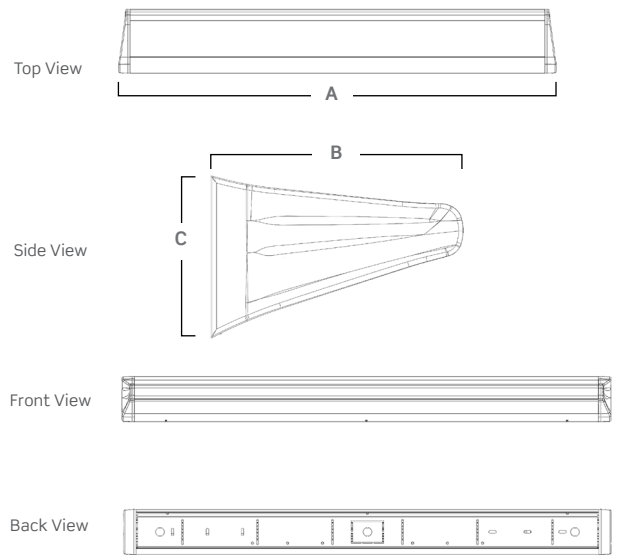
ETL Certified for use in damp locations to US and Canadian standards.

Warranty

5 year limited warranty. For complete warranty, click here:



Dimensions



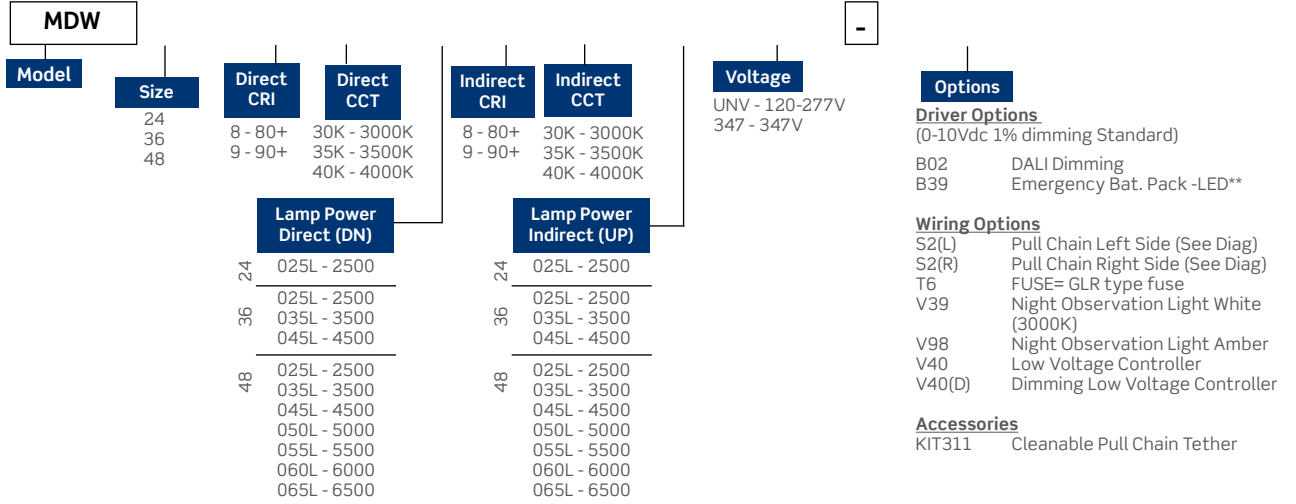
	Dimensions (inch) & Weights			
	A	B	C	Weight
24"	24.7	7.0	4.5	8 lbs
36"	36.7	7.0	4.5	10 lbs
48"	48.7	7.0	4.5	14 lbs

Consult installation guide for exact dimensions.

Project:	Catalog #:	Type:
Notes:		

Order Key

EXAMPLE: MDW-48-840K025L/830K045LUNV-S2(R)-V39

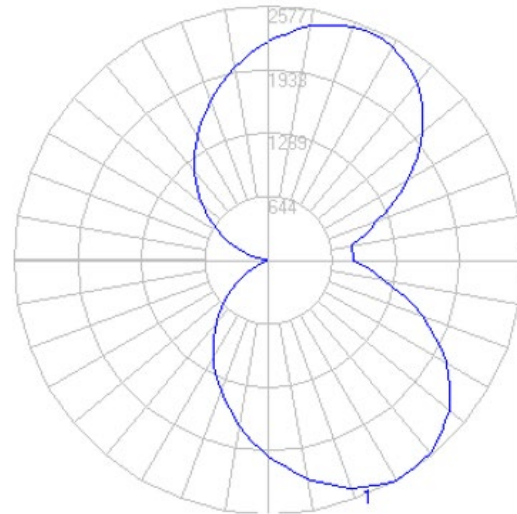
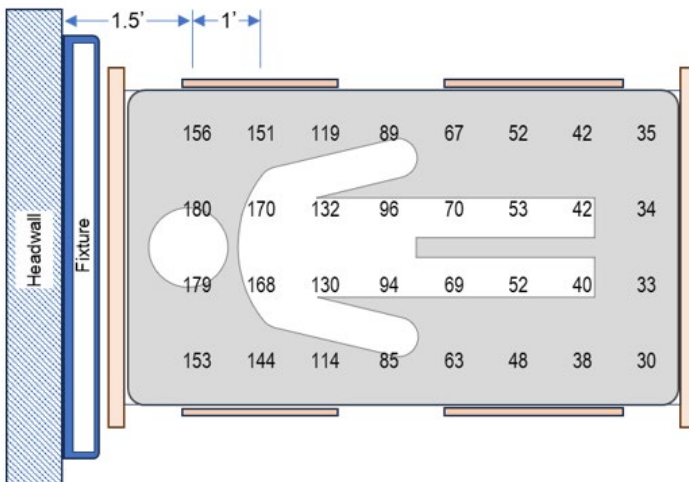


** Not compatible with V39, V40 or V40(D), V98

LED Performance Multipliers		
CRI	CCT	Lumens Multipliers
80CRI	3000K	0.96
	3500K	0.97
	4000K	1.00
	5000K	1.01
90CRI	3000K	0.82
	3500K	0.85
	4000K	0.88

Pull-Chain Switch Sequence		
Pull	Uplight	Downlight
1	On	Off
2	Off	On
3	On	On
4	Off	Off

Pull-Chains may be specified either left or right side and refers to the location of the switch when observed from the end of the bed. See bed diagram below



MDW2-48-SR-835065L-835065LUNV

Combined up and down performance with 6500 lumens up and 6500 lumens down. Fixture mounted at 6' AFF with horizontal fc measured at 3' AFF. Ceiling ht= 9'. Reflectances:80,50,20.

MDW2-48-SR-835065L-835065LUNV

Combined up and down performance with 13336 total lumens. Maximum Candela uplight at 160°, downlight at 30°.

Project:	Catalog #:	Type:
Notes:		



Up-light



Down-light



Night mode

LED Performance Data												
Size (inches)	Up (Ambient) Lumen Order Code	Down (Exam) Lumen Order Code	Delivered Lumens 3000K		Delivered Lumens 3500K		Delivered Lumens 4000K		Delivered Lumens 5000K	Estimated L80 LED Life (hrs)	Supply Watts	Efficacy Range
			80CRI	90CRI	80CRI	90CRI	80CRI	90CRI				
24	025L	--	2432	2080	2467	2150	2531	2221	2573	>90Khrs	20	106 - 131
	--	025L	2432	2080	2467	2150	2531	2221	2573	>90Khrs	20	106 - 131
	025L	025L	4864	4160	4935	4301	5062	4441	5146	>90Khrs	39	106 - 131
36	025L	--	2411	2062	2446	2132	2509	2201	2551	>90Khrs	19	110 - 136
	--	025L	2411	2062	2446	2132	2509	2201	2551	>90Khrs	19	110 - 136
	025L	025L	4822	4124	4892	4263	5018	4403	5102	>90Khrs	37	110 - 136
	035L	--	3439	2941	3489	3041	3579	3140	3639	>80Khrs	28	107 - 132
	--	035L	3439	2941	3489	3041	3579	3140	3639	>80Khrs	28	107 - 132
	035L	035L	6878	5882	6978	6081	7158	6280	7277	>80Khrs	55	107 - 132
	045L	--	4325	3699	4388	3824	4501	3949	4576	>80Khrs	36	104 - 129
	--	045L	4325	3699	4388	3824	4501	3949	4576	>70Khrs	36	104 - 129
48	045L	045L	8650	7397	8776	7648	9002	7898	9152	>70Khrs	71	104 - 129
	025L	--	2415	2065	2450	2135	2513	2205	2555	>90Khrs	19	110 - 136
	--	025L	2415	2065	2450	2135	2513	2205	2555	>90Khrs	19	110 - 136
	025L	025L	4830	4130	4900	4270	5026	4410	5110	>90Khrs	38	110 - 136
	035L	--	3684	3151	3738	3257	3834	3364	3898	>80Khrs	30	106 - 131
	--	035L	3684	3151	3738	3257	3834	3364	3898	>80Khrs	30	106 - 131
	035L	035L	7368	6301	7475	6515	7668	6727	7796	>80Khrs	60	106 - 131
	045L	--	4332	3704	4395	3830	4508	3955	4583	>80Khrs	36	103 - 128
	--	045L	4332	3704	4395	3830	4508	3955	4583	>70Khrs	36	103 - 128
	045L	045L	8664	7409	8789	7660	9016	7910	9166	>70Khrs	72	103 - 128
	050L	--	4863	4159	4934	4300	5061	4440	5145	>80Khrs	39	106 - 131
	--	050L	4863	4159	4934	4300	5061	4440	5145	>70Khrs	39	106 - 131
	050L	050L	9726	8318	9867	8600	10122	8880	10290	>70Khrs	78	106 - 131
	055L	--	5336	4563	5413	4718	5553	4872	5645	>70Khrs	44	105 - 130
	--	055L	5336	4563	5413	4718	5553	4872	5645	>70Khrs	44	105 - 130
	055L	055L	10672	9126	10827	9436	11106	9744	11291	>70Khrs	87	105 - 130
	060L	--	5804	4963	5888	5132	6040	5299	6141	>70Khrs	48	104 - 128
--	060L	5804	4963	5888	5132	6040	5299	6141	>70Khrs	48	104 - 128	
060L	060L	11608	9927	11776	10263	12080	10598	12281	>70Khrs	96	104 - 128	
065L	--	6267	5359	6358	5541	6522	5722	6631	>70Khrs	52	102 - 127	
--	065L	6267	5359	6358	5541	6522	5722	6631	>70Khrs	52	102 - 127	
065L	065L	12534	10719	12716	11082	13044	11444	13261	>70Khrs	105	102 - 127	