

IMPORTANT SAFEGUARDS

When using electrical equipment, basic safety precautions should always be followed including the following:

READ AND FOLLOW ALL SAFETY INSTRUCTIONS

- a) This equipment is designed for use with germicidal UV radiation sources and must be installed in compliance with competent technical directions to prevent risk of personal injury from UV radiation.
- b) UV radiation can pose a risk of personal injury. Overexposure can result in damage to eyes and bare skin. To reduce the risk of overexposure this equipment must be installed in accordance with the manufacturer's site planning recommendations. This may include instructions on the relative location of each germicidal system component, the minimum distances between UV-generating devices and other objects or surfaces, and protection from line-of-sight exposure to UV radiation in occupied spaces located above the equipment mounting area (e. g. upper floor balconies, open staircases, etc.)
- c) UV and optical radiation can be reflected by surrounding surfaces such as ceilings and walls. Since the reflective properties of surfaces can vary widely, it should be considered as part of site planning. Follow the manufacturer's recommendations for selecting appropriate ceiling and wall finishes.
- d) **IT IS THE RESPONSIBILITY OF THE INSTALLER TO ENSURE THAT PERSONS WILL NOT BE EXPOSED TO EXCESSIVE UV OR OPTICAL RADIATION DURING EQUIPMENT OPERATION. THIS WILL REQUIRE THE INSTALLER TO CONDUCT AN ASSESSMENT OF IRRADIANCE OR ILLUMINANCE LEVELS IN THE SURROUNDING OCCUPIED SPACES PRIOR TO OCCUPANCY.**
- e) Equipment should be mounted in locations and at heights where it will not readily be subjected to tampering by unauthorized personnel.
- f) Maintenance and servicing of this UV generating equipment shall be performed by authorized personnel. Service personnel must wear appropriate Personal Protective Equipment (PPE) if the equipment will be in operation during the maintenance or servicing work. Contact the equipment manufacturer for PPE recommendations and guidance.
- g) The use of accessory equipment not recommended by the manufacturer may cause an unsafe condition.
- h) Do not use this equipment for other than intended use.
- i) For additional assistance please contact: info@viscor.com or 416-245-7991.

SAVE THESE INSTRUCTIONS



NOTES

- Installation should be completed by an individual familiar with the construction and operation of the luminaire.
- Installation of luminaire must be in accordance with nation and local building and electrical codes.
- Carefully read and follow all warnings and instructions before installing or servicing the luminaire.
- Instructions do not cover all details and all possible product configurations
- Do not restrict luminaire ventilation.
- Ensure LED luminaire is not covered with material that will prevent convection or conduction cooling.
- Do not exceed luminaire's maximum ambient temperature.
- Ensure LED luminaire has the correct polarity before installation.
- These products have maximum rated output voltage that exceeds the voltage limits that cannot be accessible based on voltage restrictions for Class 2 circuits in Canadian Electrical Code. This output complies with the definition of Class 2 per Canadian Electrical Code. This product complies with this requirement since the installation instruction requires installation in restricted access area.
- Do not mount the luminaire to ceiling if convenience outlet option is provided.
- Do not use the luminaire housing as junction box cover unless the housing width is wider than the junction box.

WARNINGS

Electric shock:

- Disconnect or turn off power before installing or servicing luminaire.
- All electrical wiring to be completed by a qualified licensed electrician in accordance with local and National/Canadian Electrical Code.
- Ensure supply voltage corresponds with the correct ballast/driver voltage.
- Avoid exposing wiring to metal edges and sharp objects.
- Ensure that the luminaire is properly grounded to prevent electric hazards.

Fire:

- Keep flammable and combustible materials away from the light source and/or lens.
- Use correctly rated supply conductors as indicated by product labeling.

Burn:

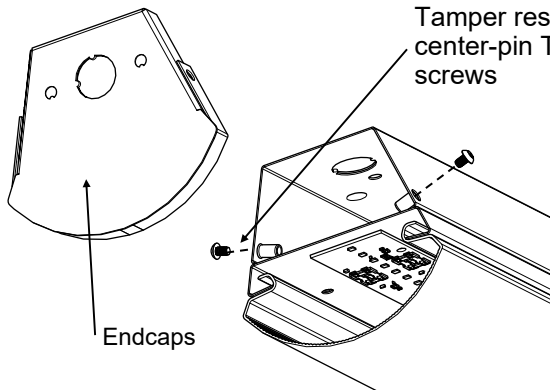
- Allow luminaire to cool before handling luminaire.

Personal Injury:

- Wear safety glasses and gloves when handling the luminaire to avoid physical injury.
- Avoid direct eye contact with light source.
- Always support the weight of the luminaire.

Manufacturer is not responsible for any injuries due to the improper installation or handling of its products.

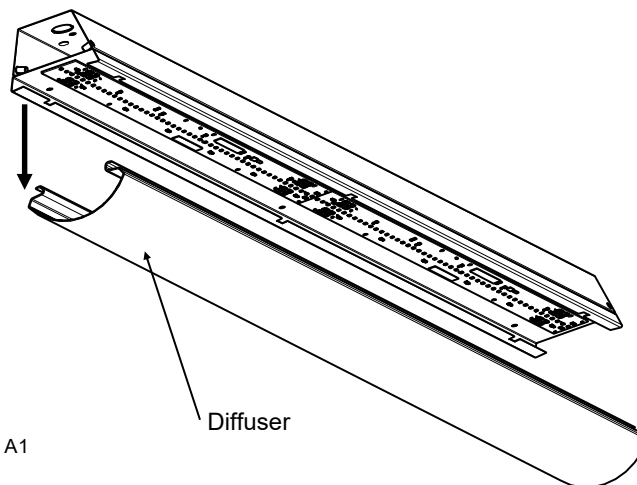
Instructions



Step 1.

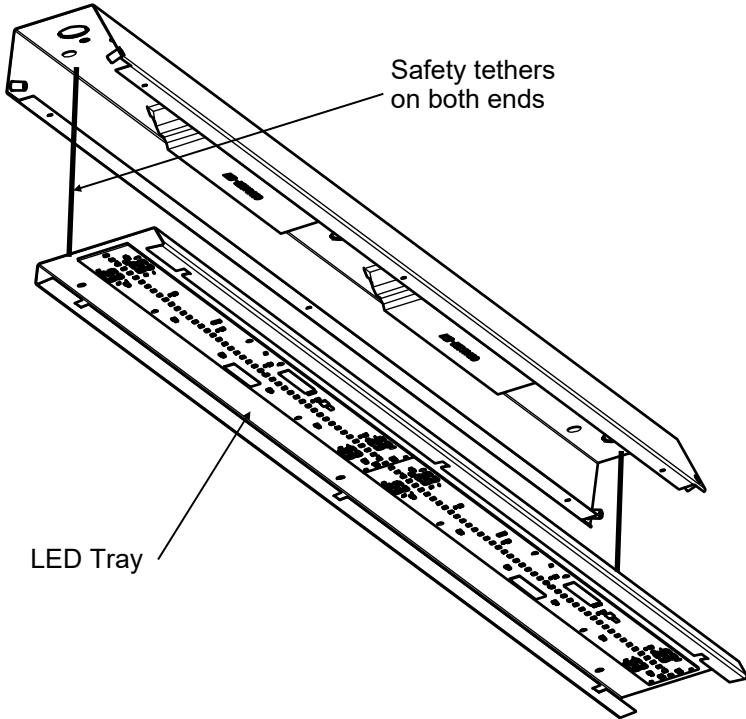
Remove the 2 tamper resistant center-pin Torx screws from Endcaps and do same for other end.

Note: A center-pin Torx screwdriver (by others) will be required to remove endcaps.



Step 2.

To remove diffuser squeeze inward to release and place to the side in safe location.



Step 3.
 Remove LED tray and let hinge by tether cables provided. Secure luminaire onto mounting surface with appropriate hardware (by others). See figure 1 below for mounting hole spacing location.

Step 4.
 Connect ground wire from electrical supply to the ground wire on the luminaire or to the ground screw located on the luminaire. Connect electrical supply wires to the corresponding wires from the luminaire, according to NEC or local codes.

Step 5.
 Place the LED tray back onto the housing and secure into place. Snap on diffuser and place back endcaps. Installation complete.

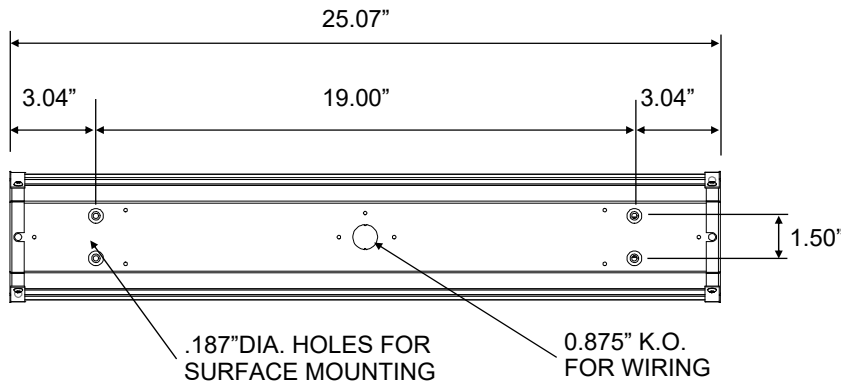
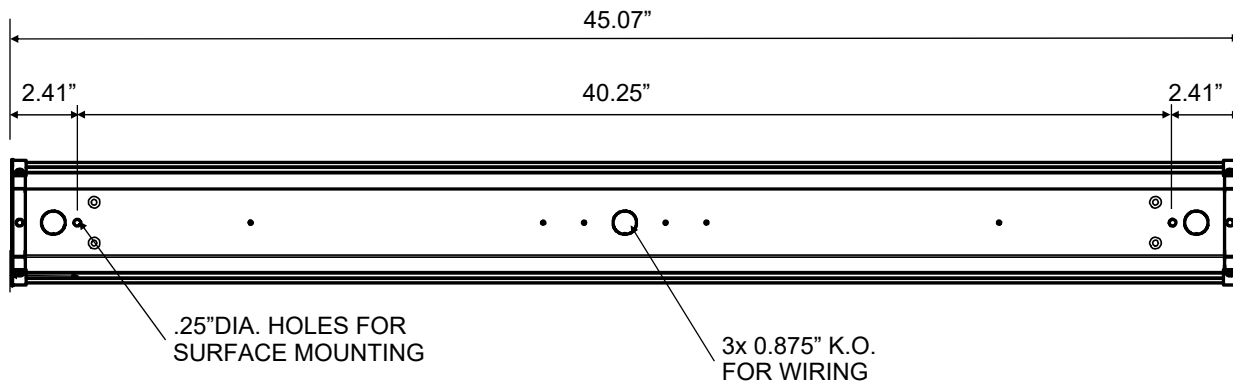


Figure 1.

BACK VIEW OF LCOM-DFX24



BACK VIEW OF LCOM-DFX48