



VISCOR INC

Viscor Inc
35 Oak Street
Toronto, ON Canada M9N 1A1 Tel: 416.245.7991
www.viscor.com Fax: 416.245.4778

Title: **KIT00090**

ERP# IIS00170

Date: MARCH 2016

WARNINGS

Electric shock:

- Disconnect or turn off power before installing or servicing luminaire.
- All electrical wiring to be completed by a qualified licensed electrician in accordance with local and National/Canadian Electrical Code.
- Ensure supply voltage corresponds with the correct ballast/driver voltage.
- Avoid exposing wiring to metal edges and sharp objects.
- Ensure that the luminaire is properly grounded to prevent electric hazards.

Fire:

- Keep flammable and combustible materials away from the light source and/or lens.
- Use correctly rated supply conductors as indicated by product labeling.

Burn:

- Allow luminaire to cool before handling luminaire.

Personal Injury:

- Wear safety glasses and gloves when handling the luminaire to avoid physical injury.
- Avoid direct eye contact with light source.
- Always support the weight of the luminaire.

KIT00090

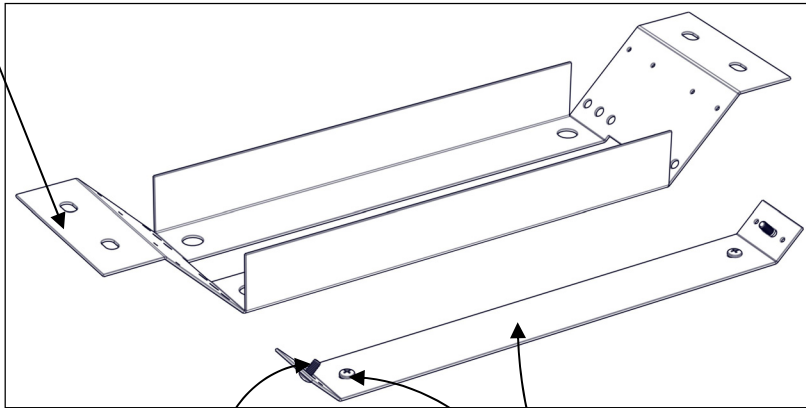
DEBRIS SHIELD FOR LHBG,
COMPLETE WITH KIT00079

NOTE: (Note: only for use in surface mount,
complete with KIT00079)

SURFACE
MOUNTING
BRACKET (2 pcs.)

No.8 x 3/8-inch
(8 pcs.)

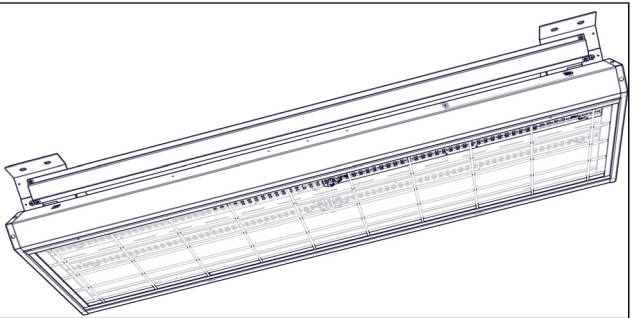
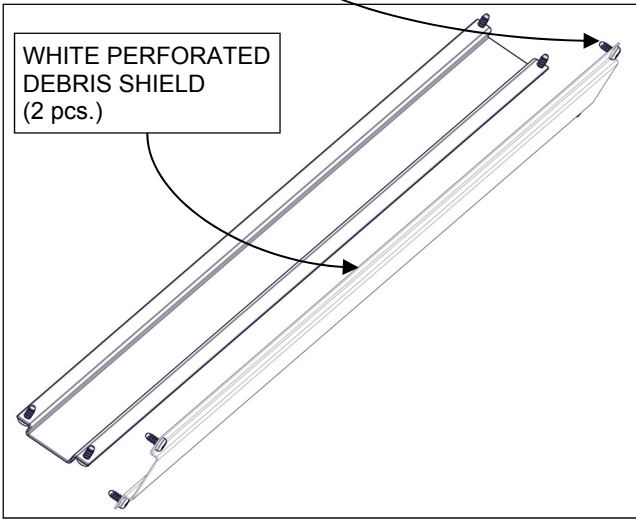
WHITE PERFORATED
DEBRIS SHIELD
(2 pcs.)



#8-32 FASTENERS TO
SURFACE MOUNTING
BRACKET (4 pcs.)

BRACKET TO
HOUSING (2 pcs.)

#8-32 FASTENERS BRACKET
TO HOUSING (4 pcs.)



SURFACE MOUNTING
BRACKET OFFSET
FOR ROW-MOUNTING

The Viscor Group

