

Surface Mount Instructions

ERP: IIS00115
10/05/2021 Rev 2.0

NOTES

- Installation should be completed by an individual familiar with the construction and operation of the luminaire.
- Installation of luminaire must be in accordance with national and local building and electrical codes.
- Carefully read and follow all warnings and instructions before installing or servicing the luminaire.
- Instructions do not cover all details and all possible product configurations
- Do not restrict luminaire ventilation.
- Ensure LED luminaire is not covered with material that will prevent convection or conduction cooling.
- Do not exceed luminaire's maximum ambient temperature.
- Ensure LED luminaire has the correct polarity before installation.
- These products have maximum rated output voltage that exceeds the voltage limits that cannot be accessible based on voltage restrictions for Class 2 circuits in Canadian Electrical Code. This output complies with the definition of Class 2 per Canadian Electrical Code. This product complies with this requirement since the installation instruction requires installation in restricted access area.

WARNINGS

Electric shock:

- Disconnect or turn off power before installing or servicing luminaire.
- All electrical wiring to be completed by a qualified licensed electrician in accordance with local and National/Canadian Electrical Code.
- Ensure supply voltage corresponds with the correct ballast/driver voltage.
- Avoid exposing wiring to metal edges and sharp objects.
- Ensure that the luminaire is properly grounded to prevent electric hazards.

Fire:

- Keep flammable and combustible materials away from the light source and/or lens.
- Use correctly rated supply conductors as indicated by product labeling.

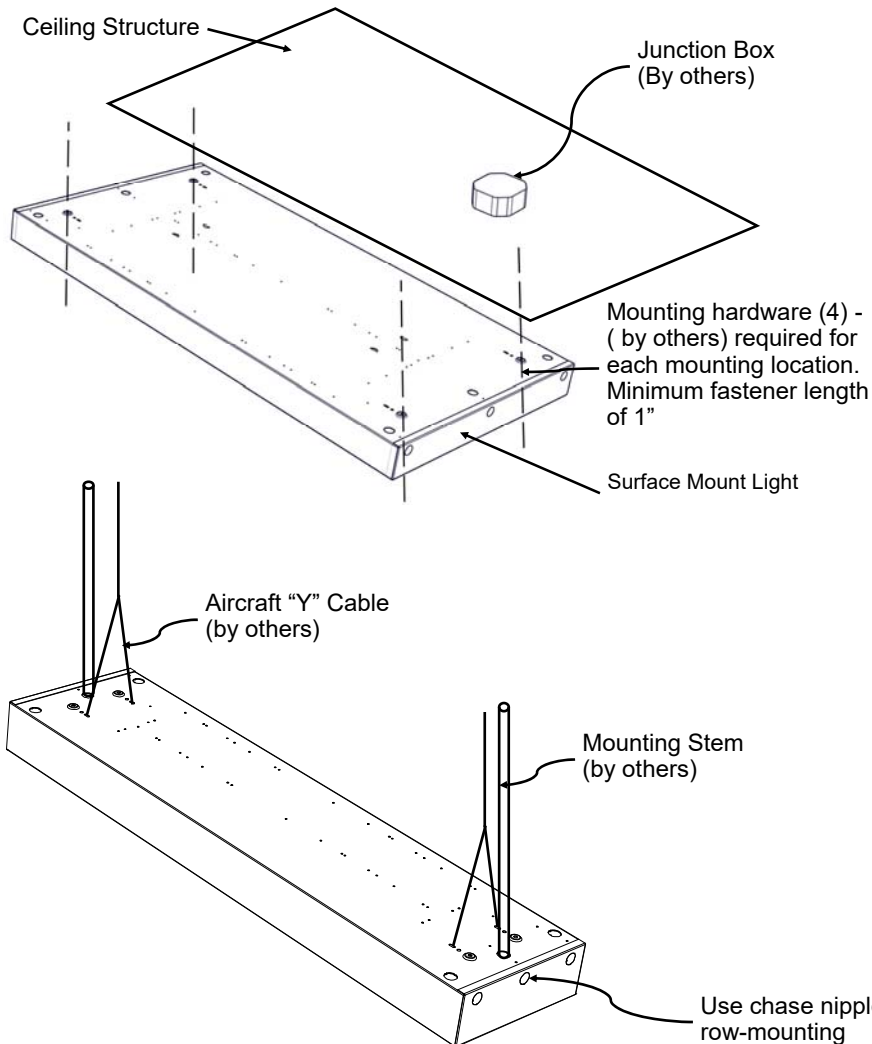
Burn:

- Allow luminaire to cool before handling luminaire.

Personal Injury:

- Wear safety glasses and gloves when handling the luminaire to avoid physical injury.
- Avoid direct eye contact with light source.
- Always support the weight of the luminaire.

Manufacturer is not responsible for any injuries due to the improper installation or handling of its products.



Instructions:

1. Carefully remove luminaire from packaging.
2. For fixtures with inset or clamshell door, unfasten the captive fasteners and hinge the door frame and lens with integral tether cable provided.
3. Remove lens from luminaire (if so equipped).
4. Remove wire way cover from luminaire.
5. Determine the location of the junction box and remove the corresponding K.O. on the luminaire and install any strain relief connector (by others) as required by local electrical codes.
6. Pull electrical supply wires through the knockout hole and into the luminaire.
7. Mount the luminaire to the mounting surface (ceiling/wall) using wood screws or appropriate hardware (by others). If no joists are present, use toggle bolts (by others).
8. Make the necessary wiring connections and ground connections in accordance with local electrical and / or building codes.
9. Replace wire way cover.
10. Install lamps and replace lens (where required).

For Pendant/Cable Mount