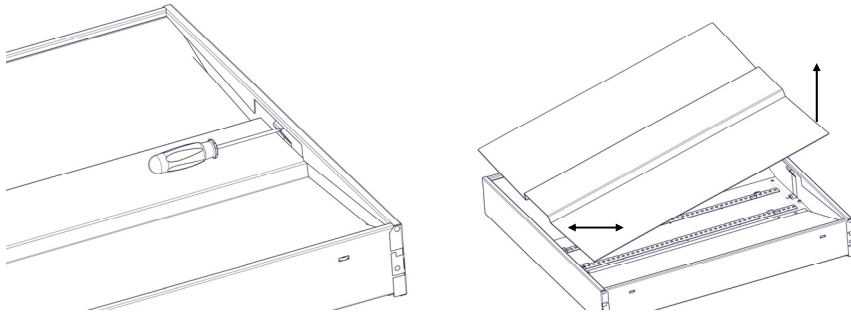
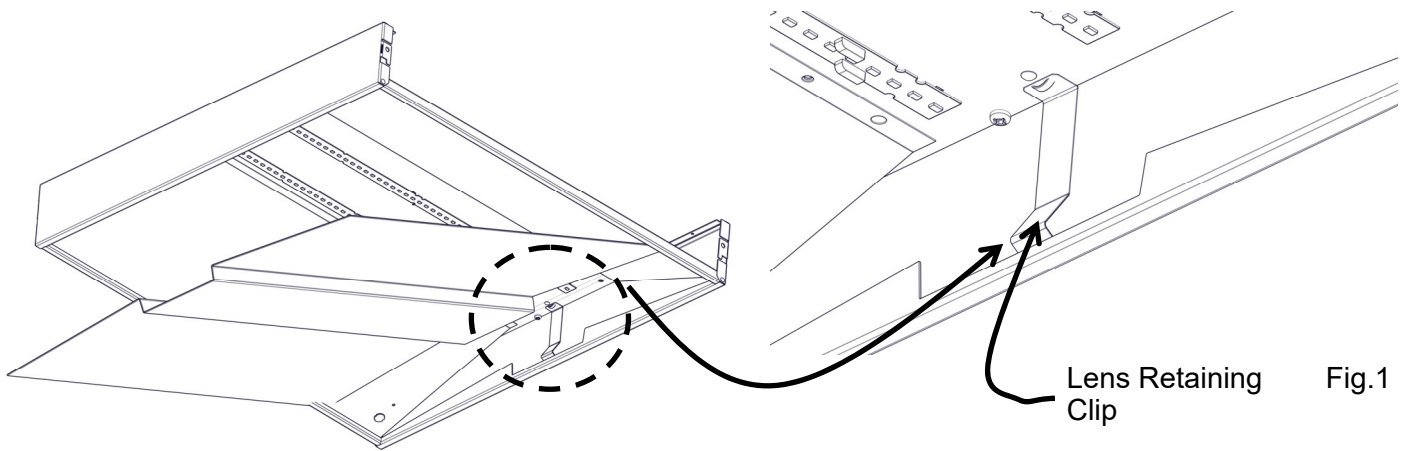


Lens Removal Instruction

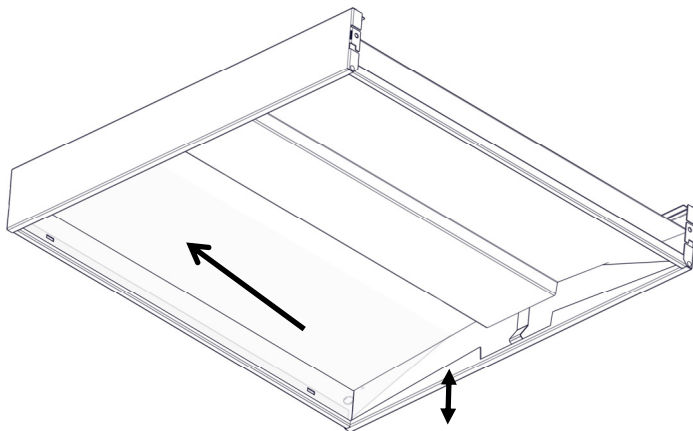


1. With flat screwdriver press gently retaining clip to release lens from frame
2. Carefully remove lens from luminaire by first sliding then lifting away from frame and place on clean surface top.

Lens Installation



3. Tilt lens and insert **above retaining clip**(Fig.1) and to one end of fixture.



4. While holding lens in place on one end, raise the other end so that it clears the side flanges and gently drop lens to sit on interior flanges. Retaining clip may need to be re-pressed to allow lens to seat properly.

NOTES

- Installation should be completed by an individual familiar with the construction and operation of the luminaire.
- Installation of luminaire must be in accordance with nation and local building and electrical codes.
- Carefully read and follow all warnings and instructions before installing or servicing the luminaire.
- Instructions do not cover all details and all possible product configurations
- Do not restrict luminaire ventilation.
- Ensure LED luminaire is not covered with material that will prevent convection or conduction cooling.
- Do not exceed luminaire's maximum ambient temperature.
- Ensure LED luminaire has the correct polarity before installation.
- Based on maximum voltage restrictions for class 2 circuits in Canadian Electrical Code, the output cannot be accessible. This product has accessible output terminals. This product complies with this requirement since the installation instruction requires installation in Restricted Access Area.



WARNINGS

Electric shock:

- Disconnect or turn off power before installing or servicing luminaire.
- All electrical wiring to be completed by a qualified licensed electrician in accordance with local and National/Canadian Electrical Code.
- Ensure supply voltage corresponds with the correct ballast/driver voltage.
- Avoid exposing wiring to metal edges and sharp objects.
- Ensure that the luminaire is properly grounded to prevent electric hazards.

Fire:

- Keep flammable and combustible materials away from the light source and/or lens.
- Use correctly rated supply conductors as indicated by product labeling.

Burn:

- Allow luminaire to cool before handling luminaire.

Personal Injury:

- Wear safety glasses and gloves when handling the luminaire to avoid physical injury.
- Avoid direct eye contact with light source.
- Always support the weight of the luminaire.

Manufacturer is not responsible for any injuries due to the improper installation or handling of its products.

1.

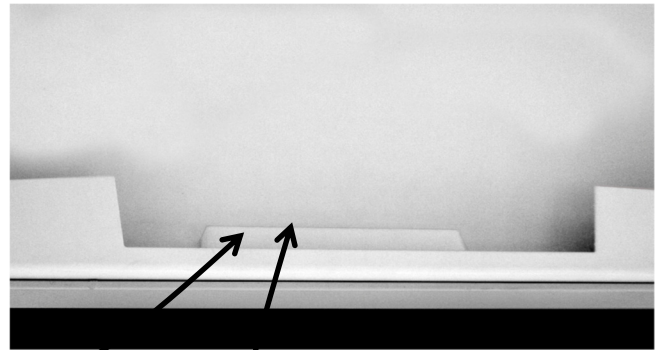
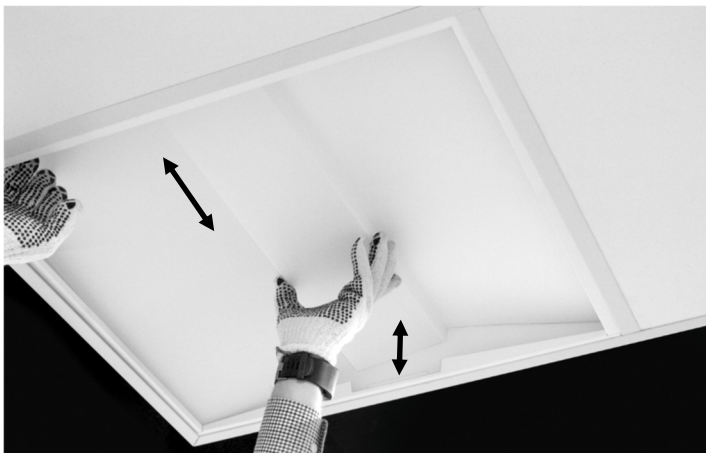


Fig.1

Spacer Gasket

2.



1. Carefully remove lens from luminaire and place on clean surface top.
2. Tilt lens and ensure to insert square lens profile **above** spacer gasket (Fig.1) so that it meets with the *inside face* at one end.
3. While holding lens in place on one end, raise the other end so that it clears the side flanges. Slightly slide and center the lens so that it rests between the spacer gaskets.
4. Installation complete.