

NOTES

- Installation should be completed by an individual familiar with the construction and operation of the luminaire.
- Installation of luminaire must be in accordance with nation and local building and electrical codes.
- Carefully read and follow all warnings and instructions before installing or servicing the luminaire.
- Instructions do not cover all details and all possible product configurations
- Do not restrict luminaire ventilation.
- Ensure LED luminaire is not covered with material that will prevent convection or conduction cooling.
- Do not exceed luminaire's maximum ambient temperature.
- Ensure LED luminaire has the correct polarity before installation.
- Based on maximum voltage restrictions for class 2 circuits in Canadian Electrical Code, the output cannot be accessible. This product has accessible output terminals. This product complies with this requirement since the installation instruction requires installation in Restricted Access Area.

WARNINGS

Electric shock:

- Disconnect or turn off power before installing or servicing luminaire.
- All electrical wiring to be completed by a qualified licensed electrician in accordance with local and National/Canadian Electrical Code.
- Ensure supply voltage corresponds with the correct ballast/driver voltage.
- Avoid exposing wiring to metal edges and sharp objects.
- Ensure that the luminaire is properly grounded to prevent electric hazards.

Fire:

- Keep flammable and combustible materials away from the light source and/or lens.
- Use correctly rated supply conductors as indicated by product labeling.

Burn:

- Allow luminaire to cool before handling luminaire.

Personal Injury:

- Wear safety glasses and gloves when handling the luminaire to avoid physical injury.
- Avoid direct eye contact with light source.
- Always support the weight of the luminaire.

Manufacturer is not responsible for any injuries due to the improper installation or handling of its products.

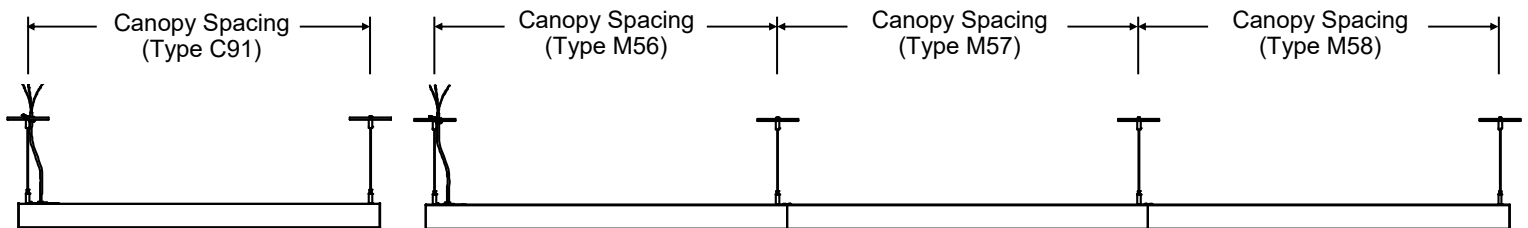
Fixture/Housing Construction

C91 — Standalone unit with two flat finished ends.

M56 — Start unit of configurable lighting system with one flat finished end and one open end.

M57 — Middle unit of configurable lighting system with two open ends.

M58 — End unit of configurable lighting system with one flat finished end and one open end.

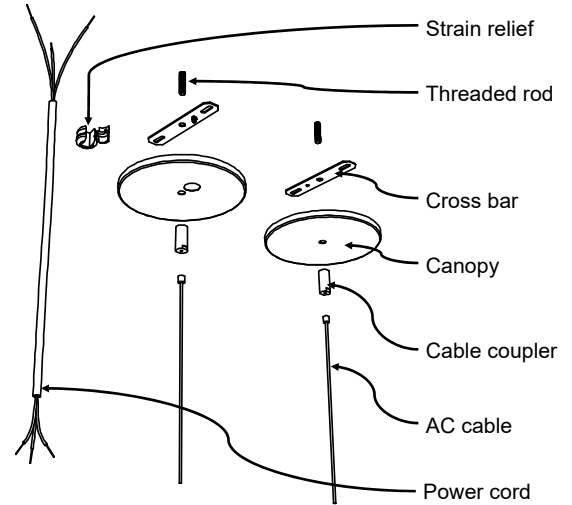


Nominal Fixture Length	4ft				6ft				8ft			
Fixture Type	C91	M56	M57	M58	C91	M56	M57	M58	C91	M56	M57	M58
Canopy Spacing	42"	42"	44.25"	44.25"	64"	64"	66.3125"	66.3125"	86"	86"	88.438"	88.438"

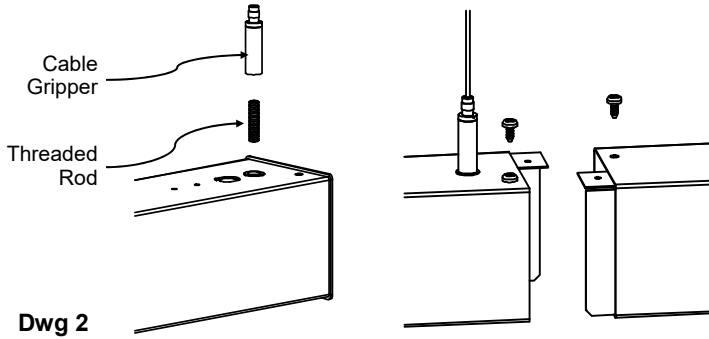
LMEZ 2/3-P Installation Instructions

ERP# IIS00332
10/06/2022 Rev3.0

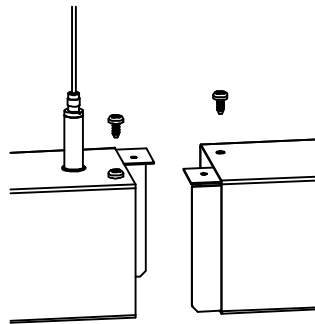
- Step 1. Disconnect power.
- Step 2. Install canopy sets (cross bar, threaded rod, canopy, cable coupler, AC cable, power cord) and connect power cord (dwg.1). For spacing refer to table provided.
- Step 3. Install cable grippers vis 1/4-20 threaded rods (supplied) to the fixtures (dwg2).
- Step 4. Hang the beginning of the row fixture (type M56) inserting AC cables through cable grippers. Adjust suspension height as required, level the fixture and make wiring connections according to local electrical codes.
- Step 5. Hang the next fixture (type M57) and connect to the open end of previously mounted fixture and then secure via 2 screws (provided) (dwg 3). Repeat steps until row is complete (dwg 4).
- Step 6. Detach all LED trays and let them hang by tethers (dwg 6).
- Step 7. Make wiring connections between the luminaires according to local electrical codes.
- Step 8. Reattach all LED trays and insert all lenses.
- Step 9. Connect power.



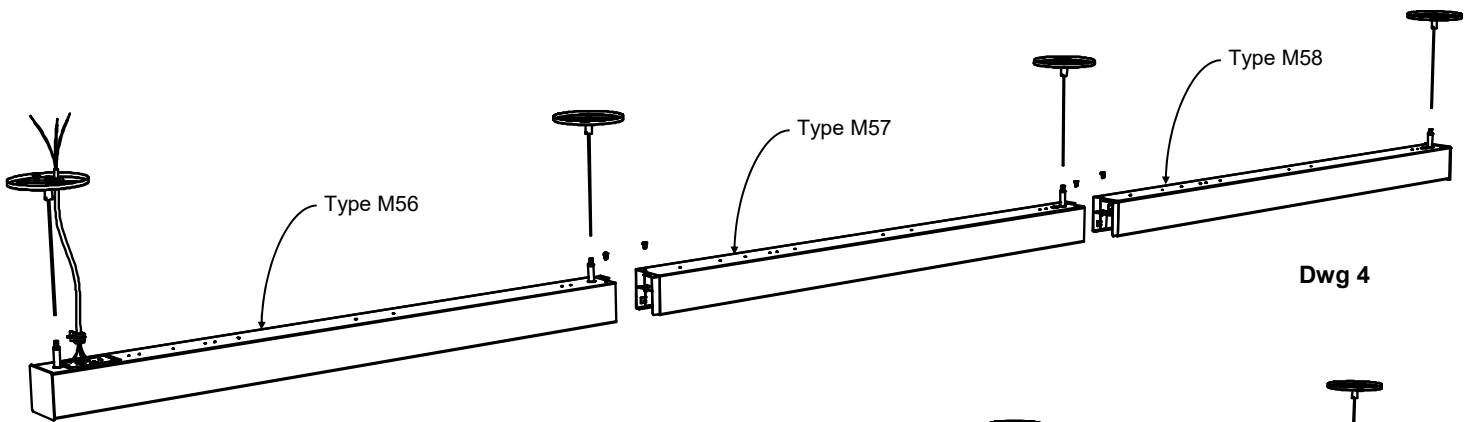
Dwg 1



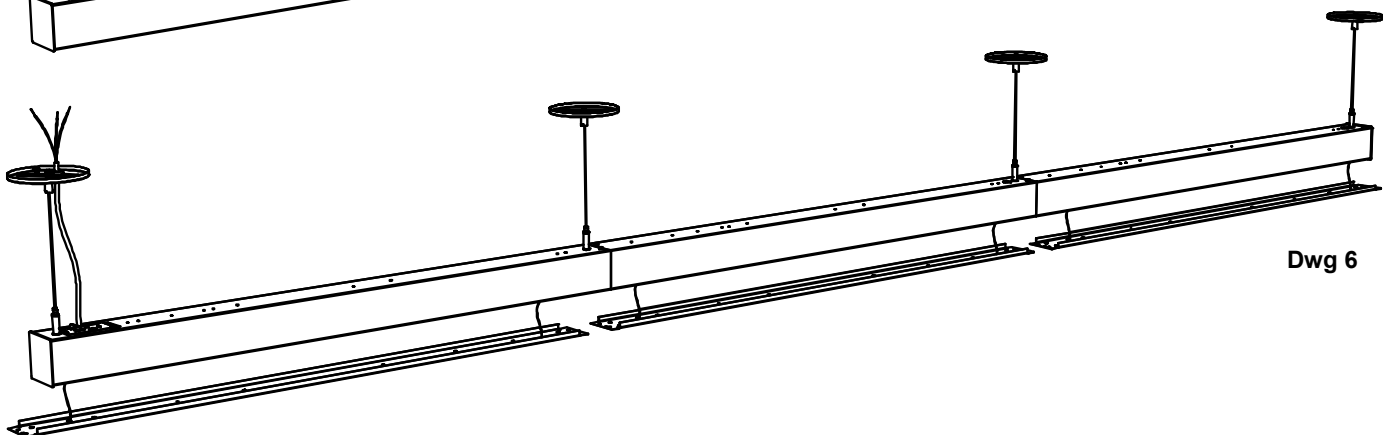
Dwg 2



Dwg 3



Dwg 4



Dwg 6