

## **IMPORTANT SAFEGUARDS**

When using electrical equipment, basic safety precautions should always be followed including the following:

### **READ AND FOLLOW ALL SAFETY INSTRUCTIONS**

- a) This equipment is designed for use with germicidal UV radiation sources and must be installed in compliance with competent technical directions to prevent risk of personal injury from UV radiation.
- b) UV radiation can pose a risk of personal injury. Overexposure can result in damage to eyes and bare skin. To reduce the risk of overexposure this equipment must be installed in accordance with the manufacturer's site planning recommendations. This may include instructions on the relative location of each germicidal system component, the minimum distances between UV-generating devices and other objects or surfaces, and protection from line-of-sight exposure to UV radiation in occupied spaces located above the equipment mounting area (e. g. upper floor balconies, open staircases, etc.)
- c) UV and optical radiation can be reflected by surrounding surfaces such as ceilings and walls. Since the reflective properties of surfaces can vary widely, it should be considered as part of site planning. Follow the manufacturer's recommendations for selecting appropriate ceiling and wall finishes.
- d) **IT IS THE RESPONSIBILITY OF THE INSTALLER TO ENSURE THAT PERSONS WILL NOT BE EXPOSED TO EXCESSIVE UV OR OPTICAL RADIATION DURING EQUIPMENT OPERATION. THIS WILL REQUIRE THE INSTALLER TO CONDUCT AN ASSESSMENT OF IRRADIANCE OR ILLUMINANCE LEVELS IN THE SURROUNDING OCCUPIED SPACES PRIOR TO OCCUPANCY.**
- e) Equipment should be mounted in locations and at heights where it will not readily be subjected to tampering by unauthorized personnel.
- f) Maintenance and servicing of this UV generating equipment shall be performed by authorized personnel. Service personnel must wear appropriate Personal Protective Equipment (PPE) if the equipment will be in operation during the maintenance or servicing work. Contact the equipment manufacturer for PPE recommendations and guidance.
- g) The use of accessory equipment not recommended by the manufacturer may cause an unsafe condition.
- h) Do not use this equipment for other than intended use.

### **SAVE THESE INSTRUCTIONS**

# LRK-TRH-DFX Retrofit Installation Instructions ERP: IIS00334

06/22/2021-Rev1.0

## Installation Instruction Guide

Available in a wide range of configurations with standard sizes.

The retrofit kit is designed to retrofit Listed Recessed Fluorescent Troffer Luminaires of sizes 2x2, 2x4, 1x4 with minimum depth of 3.5"

### READ AND FOLLOW ALL SAFETY INSTRUCTIONS

#### NOTES

- Installation should be completed by an individual familiar with the construction and operation of the luminaire.
- Installation of luminaire must be in accordance with the requirements of the Canadian Electrical Code and National electrical code for the specific hazardous locations area classification of the installation.
- Carefully read and follow all warnings and instructions before installing or servicing the luminaire.
- Do not restrict luminaire ventilation.
- Ensure LED luminaire is not covered with material that will prevent convection or conduction cooling.
- Do not exceed luminaire's maximum ambient temperature rating as marked on the luminaire.
- The retrofit kit is accepted as a component of a luminaire where the suitability of the combination shall be determined by authorities having jurisdiction. Product must be installed by a qualified electrician in accordance with the applicable and appropriate codes. The installation guide does not supersede local or national regulations for electrical installations.

#### WARNINGS

##### Electric shock:

- Disconnect or turn off power before installing or servicing luminaire.
- All electrical wiring to be completed by a qualified licensed electrician in accordance with local and National/Canadian Electrical Code.
- Ensure supply voltage corresponds to that marked on the luminaire. If there is a mismatch DO NOT proceed!
- Avoid exposing wiring to metal edges and sharp objects.
- Ensure that the luminaire is properly grounded to prevent electric hazards.
- **All supply field wiring to the luminaire shall be rated 600V and 75°C minimum.**

##### Fire:

- Keep flammable and combustible materials away from the light source and/or lens.
- Use correctly rated supply conductors as indicated by product labeling.

##### Burn:

- Allow luminaire to cool before handling luminaire.

##### Personal Injury:

- Wear safety glasses and gloves when handling the luminaire to avoid physical injury.
- Avoid direct eye contact with light source.

Manufacturer is not responsible for any injuries due to the improper installation or handling of its products.

#### Tools Required



#### WARNING

##### RISK OF FIRE, ELECTRIC SHOCK, OR PERSONAL INJURY

- LED retrofit kit installation requires knowledge of luminaires electrical system. If not qualified, do not attempt installation. Contact qualified electrician.
- Install this kit only in the luminaires that have the construction features and dimensions shown in the photographs and/or drawings and where the input rating of the retrofit kit does not exceed the input rating of the luminaire.
- To prevent wiring damage or abrasion, do not expose wiring to edges of sheet metal or sharp objects.
- Luminaire wiring and electrical parts may be damaged when drilling for installation of LED retrofit kit. Check for enclosed wiring and components.
- Only those open holes indicated in the photographs and/or drawings may be made or altered as a result of kit installation. Do not leave any other open holes in an enclosure of wiring or electrical components.
- CAUTION—RISK OF PERSONAL INJURY. Do not use this retrofit kit to convert portable or hand-held luminaires.
- Do not install this equipment in a dwelling.

#### Component List for Kit

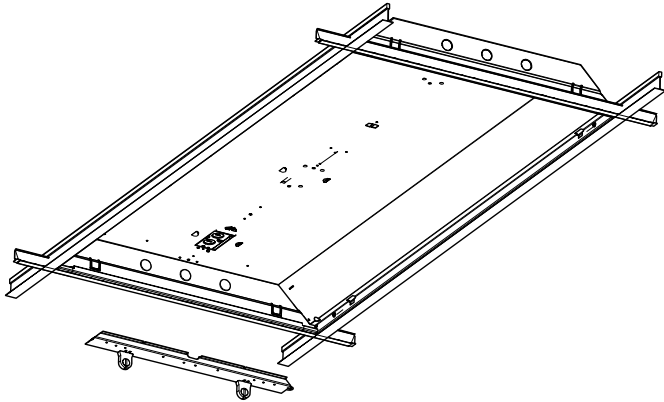
- 1x Door Frame Assembly
- 2x Frame Angle Bracket
- 2x Tether Cables
- 1x Fixture Label

# LRK-TRH-DFX Retrofit Installation Instructions ERP: IIS00334

06/22/2021-Rev1.0

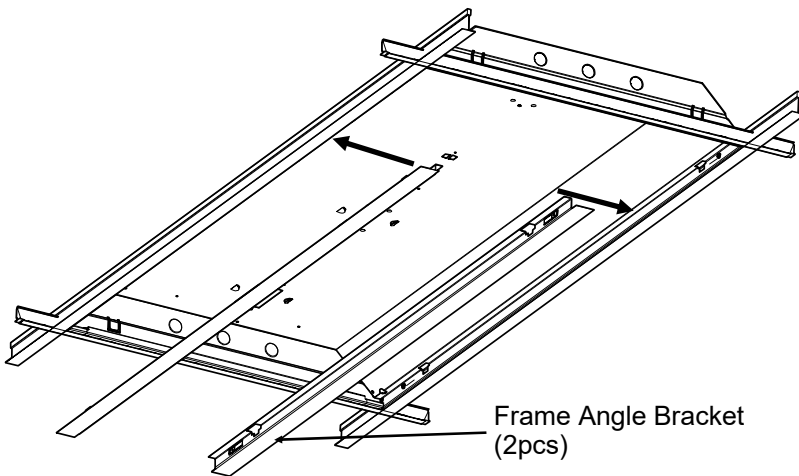
**Verify Voltage of the Retrofit kit matches existing Voltage – If there is a mismatch DO NOT proceed!**

The luminaire needs to be supported independent of ceiling grid.



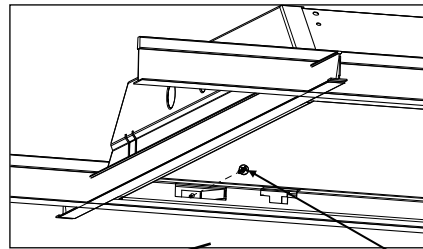
## Step 1:

Remove the lens, cover with ballast, socket strap from the fluorescent fixture. Disconnect any wiring from the electrical components being retrofitted.

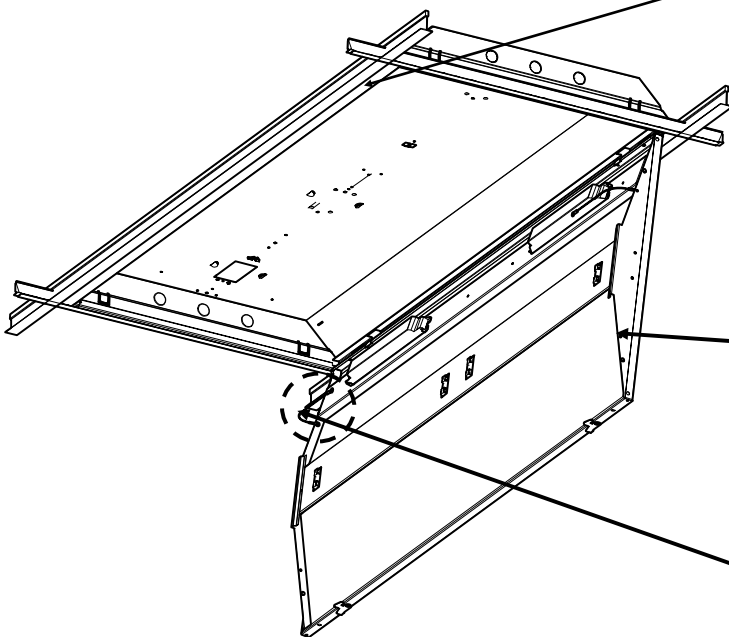


## Step 2:

Slide the frame angle bracket under the fixture between the T-Bar ensuring that the brackets are against the T-bar. Secure the kit with 2 self drilling screws while holding fixture and bracket down against T-bar for each frame angle bracket.



Self drilling screw, 1 at each end



## Step 3:

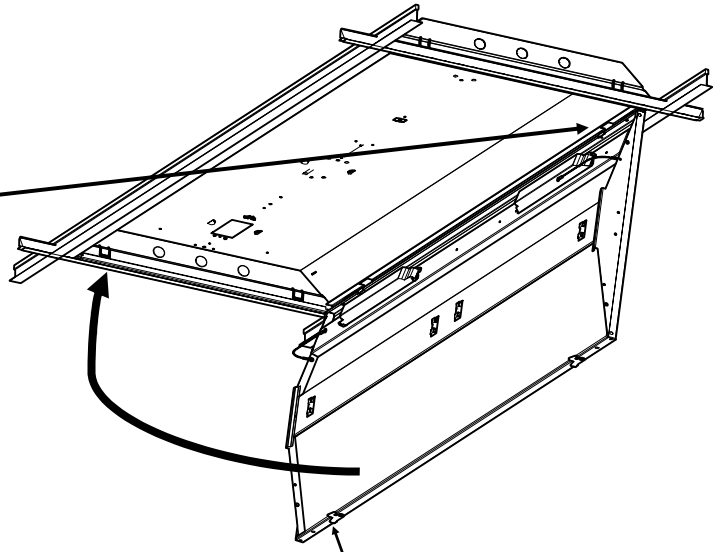
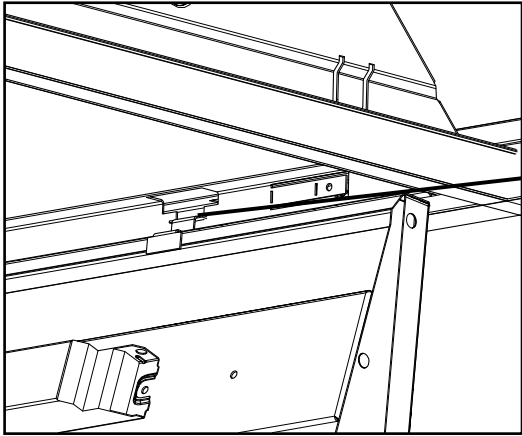
Attach the door frame assembly kit using the T-Hinges then attach the safety tether cable. Hold door frame assembly at a slight angle to engage in to T-slots. Connect ground wire from LED Retrofit tray to the fixture housing by connecting to the existing ground wire/ground screw of fixture. Wire the incoming power using the kits disconnects

Door Frame Assembly Kit (1pc)

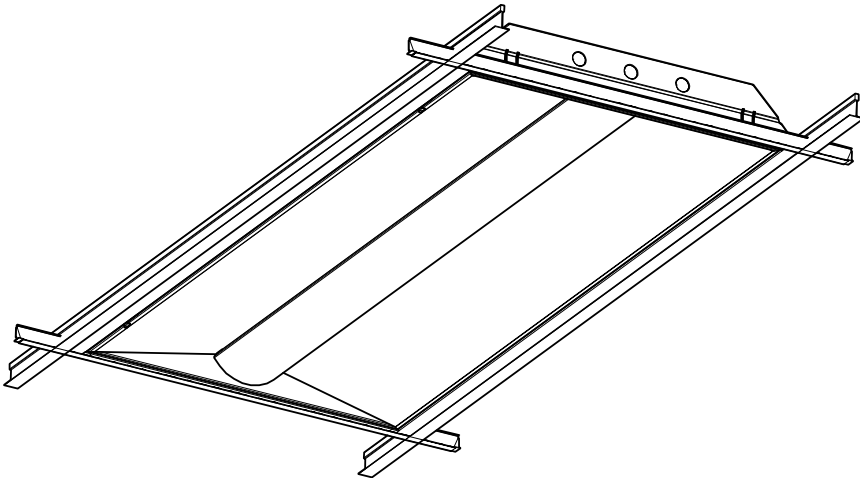
**Note:** Ensure safety tether cables are secured to fluorescent fixture prior to commencing with electrical connections. (2 tether cables, 1 on each end)

**LRK-TRH-DFX**  
**Retrofit Installation Instructions**  
**ERP: IIS00334**

06/22/2021-Rev1.0



Ensure latches are in open position before closing.

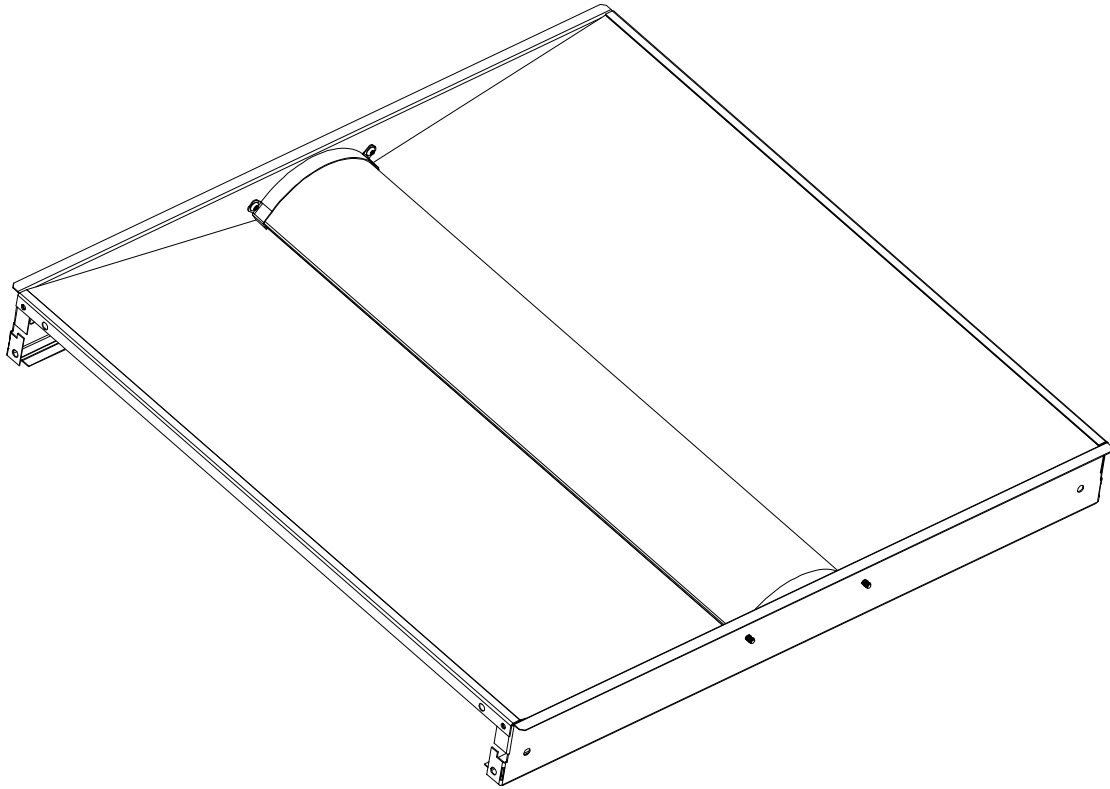


**Step 4:**

Raise the frame, push up into the existing fixture and close the cam latches. Installation complete.

**LRK-TRH-DFX**  
**Retrofit Installation Instructions**  
**ERP: IIS00334**

06/22/2021-Rev1.0



Diffuser retaining bracket comes with 2 tamper resistant center-pin Torx screws. For servicing luminaire from room side, a center-pin Torx screwdriver (by others) will be required to remove diffuser.

