

**NOTES**

- Installation should be completed by an individual familiar with the construction and operation of the luminaire.
- Installation of luminaire must be in accordance with nation and local building and electrical codes.
- Carefully read and follow all warnings and instructions before installing or servicing the luminaire.
- Instructions do not cover all details and all possible product configurations
- Do not restrict luminaire ventilation.
- Ensure LED luminaire is not covered with material that will prevent convection or conduction cooling.
- Do not exceed luminaire's maximum ambient temperature.
- Ensure LED luminaire has the correct polarity before installation.
- This product has maximum rated output of 56Vdc. This output complies with the definition of Class 2 per Canadian Electrical Code. This output cannot be accessible based on maximum voltage restrictions for Class 2 circuits in Canadian Electrical Code. This product complies with this requirement since the installation instruction requires installation in restricted access area.

**WARNINGS**

**Electric shock:**

- Disconnect or turn off power before installing or servicing luminaire.
- **Fixture should ONLY be powered on with access plate installed in fixture.**
- All electrical wiring to be completed by a qualified licensed electrician in accordance with local and National/Canadian Electrical Code.
- Ensure supply voltage corresponds with the correct ballast/driver voltage.
- Avoid exposing wiring to metal edges and sharp objects.
- Ensure that the luminaire is properly grounded to prevent electric hazards.

**Fire:**

- Keep flammable and combustible materials away from the light source and/or lens.
- Use correctly rated supply conductors as indicated by product labeling.

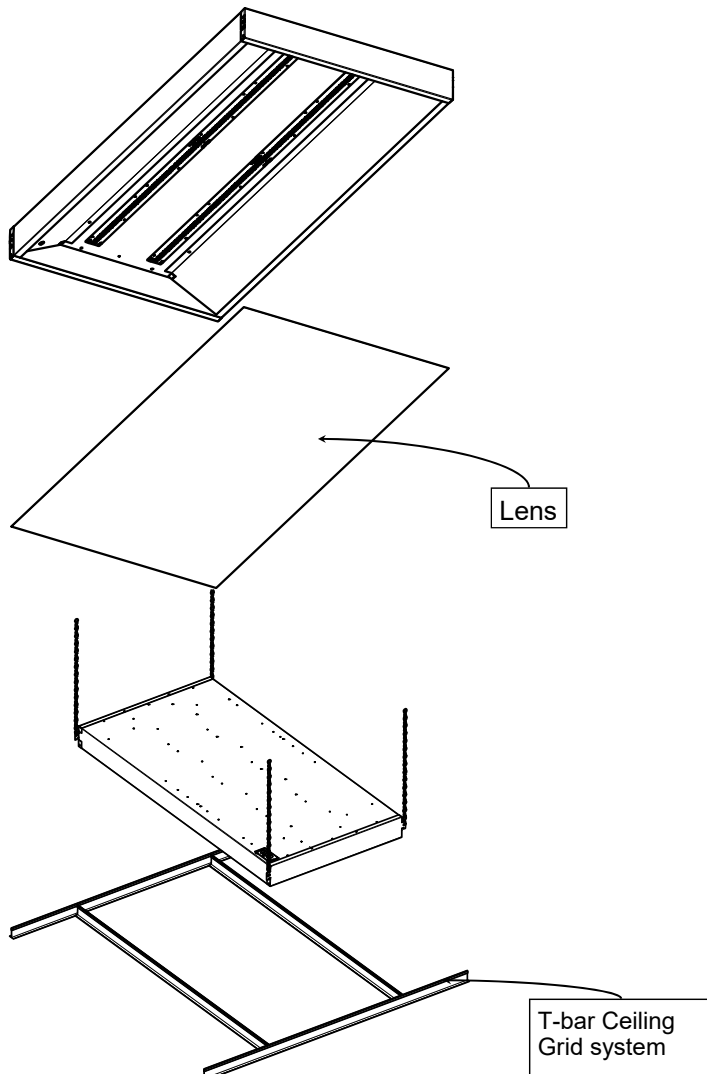
**Burn:**

- Allow luminaire to cool before handling luminaire.

**Personal Injury:**

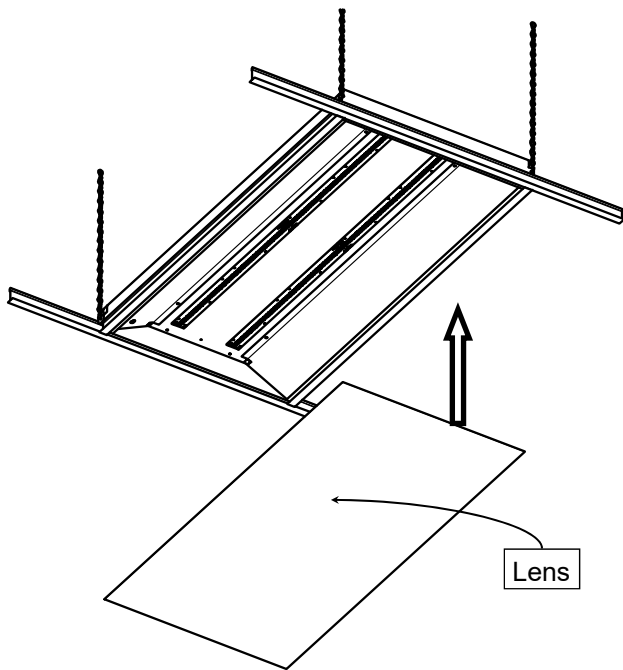
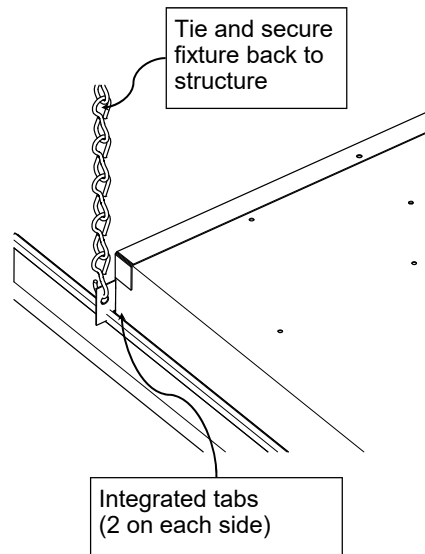
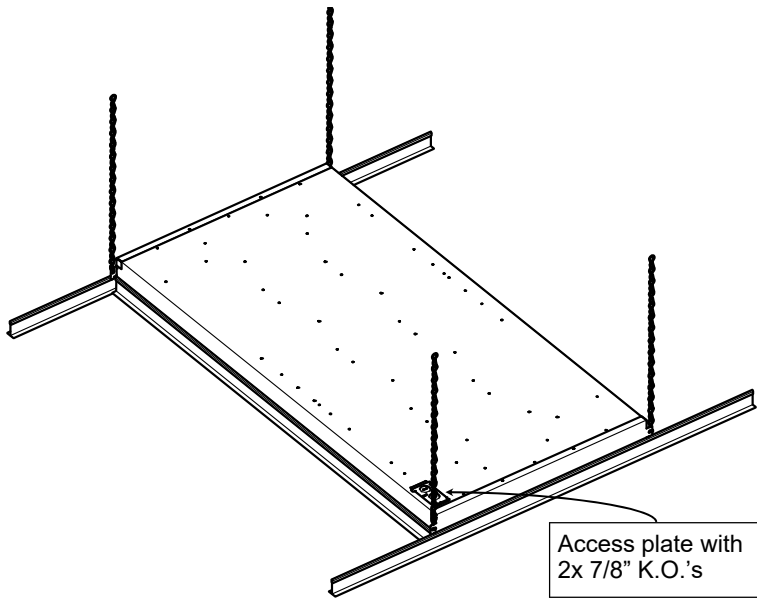
- Wear safety glasses and gloves when handling the luminaire to avoid physical injury.
- Avoid direct eye contact with light source.
- Always support the weight of the luminaire.

Manufacturer is not responsible for any injuries due to the improper installation or handling of its products.



**Instructions:**

1. Carefully remove luminaire from packaging.
2. Remove lens for easier handling when installing in T-Bar grid.
3. Install the luminaire into the T-bar ceiling grid and ensure that the luminaire is properly set.



**Instructions Cont'd:**

4. Bend tabs out from housing and rest luminaire securely on T-bar.
5. In accordance with local building codes, tie support cables/chains to building structure at appropriate locations on the luminaire.
6. Remove access plate and remove necessary K.O.'s from access plate for attachment of electrical power feed cable.
7. Make the necessary wiring connections and ground connections in accordance with local electrical and /or building codes.
8. Reattach access plate to luminaire and secure access plate screw.
9. Re-install lens.