

Project:	Catalog #:	Type:
Notes:		

**Product Description**

The CREH series by Certolux is a simplified cleanroom luminaire that is rated for ISO Class 5-8 cleanrooms. Designed to provide a sustainable alternative to flat panels with less glare and a better appearance. The cylindrical aperture reduces glare with a normalized UGR ratings of 10.6-18, reducing eye strain. The removable lens seals directly to the housing without a door. It is gasketed and listed for wet locations. The mounting is for 15/16", 1.0" to 1.5" t-bar grid and installations. It is certified NSF2 splash and non-food zones. It is also IP66 certified from below. The LED and driver system is servicable and renewable.

**Feature Options**

- Self-Testing 90 Minute EM Pack
- Tunable White
- Bios® Skyblue®

**Housing**

Precision formed and welded, 24 gauge cold rolled steel construction. Five (5) stage pretreatment and matte white polyester powder coated after fabrication. ASTM B117 1000hr Salt Spray tested.

**Lens & Lens Retention**

Diffusion lens is cylindrical extruded, impact resistant opal acrylic. Clear, impact resistant 0.125" thick polycarbonate lens sealed to housing using a closed cell resilient EPDM gasket. Removable and reusable adhesive allows access to drivers and electronics. Lens presents a smooth external surface for easy cleaning.

**Gasket Systems**

Lens-Housing: Closed cell resilient EPDM gasket provided to seal flange to Lens. Fixture-Ceiling: Closed cell neoprene gasket seals fixture to T-bar grid. Conduit entry access plate sealed by closed cell gasket.

**LED**

LED board modules are high efficiency and closely regulated to maintain CRI, color consistency, lumen performance, and efficacy. Select from 3000K, 3500K, 4000K, and 5000K color temperatures with a color consistency of 3 SDCM, standard 80 CRI, optional 90 CRI. Tunable White CCT range is 2700-6500K. Lifetime L70 is greater than 60,000 hrs. Modules are field replaceable and commercially available Zhaga™ compliant. Optional amber or red LEDs arrays available alone (not in combination with white LEDs). Tunable White and Bios SkyBlue® options are also available.

**Electrical**

The standard electronic driver is constant current, programmable and dimmable to 1% using a 0-10V protocol. High efficiency (>85%) and low THD (<10%). Certified to FCC Part 15, Class A. 120-277Vac or 347Vac, 50/60hz. Drivers are provided by a recognized quality brand and are field replaceable and commercially available. See "Options" for Lutron™ or DALI driver choices. Internal Emergency Drivers are serviceable.

**Finish**

Five (5) Stage pretreatment and matte white polyester powder coated after fabrication. ASTM B117 1000hr Salt Spray tested.

**Installation**

Grid installation suitable for 9/16, 15/16", 1" and 1.5" T-Bar NEMA LE4 Type G and NFG ceilings. Hard ceiling installation is supported by an accessory flange ceiling installation kit that creates a single grid cell within a hard ceiling. Earthquake grid attachment brackets andismic support attachment points provided at each corner. Consult factory for compatibility with non-standard grid systems). Ambient operating temperature: -4°F (-20°C) to 104°F (40°C).

**Listings, Certifications and Ratings**

ETL listed for wet locations under covered ceiling (CAN & USA, ANSI/UL1598 & UL8750). Recessed Type IC for insulated ceilings. NSF2 for Splash and non-food zones. IEC60529 IP66 (Certified dust-tight and resistant to jets of water from below). Cleanroom classified ISO5-8.

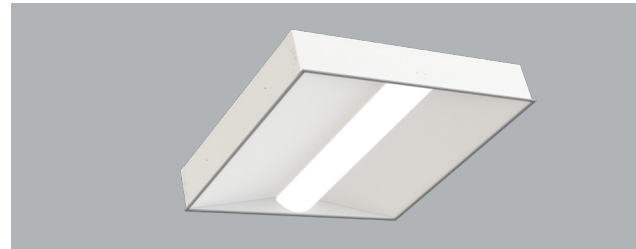
**Warranty**

5 year limited warranty. For complete warranty, click here:

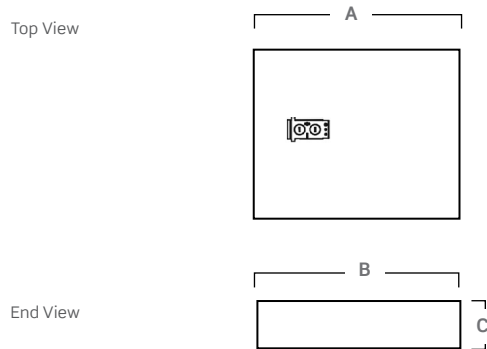


**Approvals**

- ETL listed for wet locations.
- NSF Listed (see ordering key).

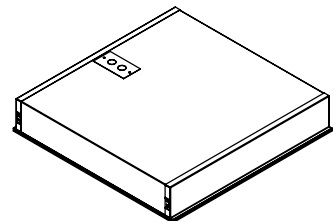


**Dimensions**



	A	B	C
1x4	47.75"	11.75"	4"
2x2	23.75"	23.75"	4"
2x4	47.75"	23.75"	4"

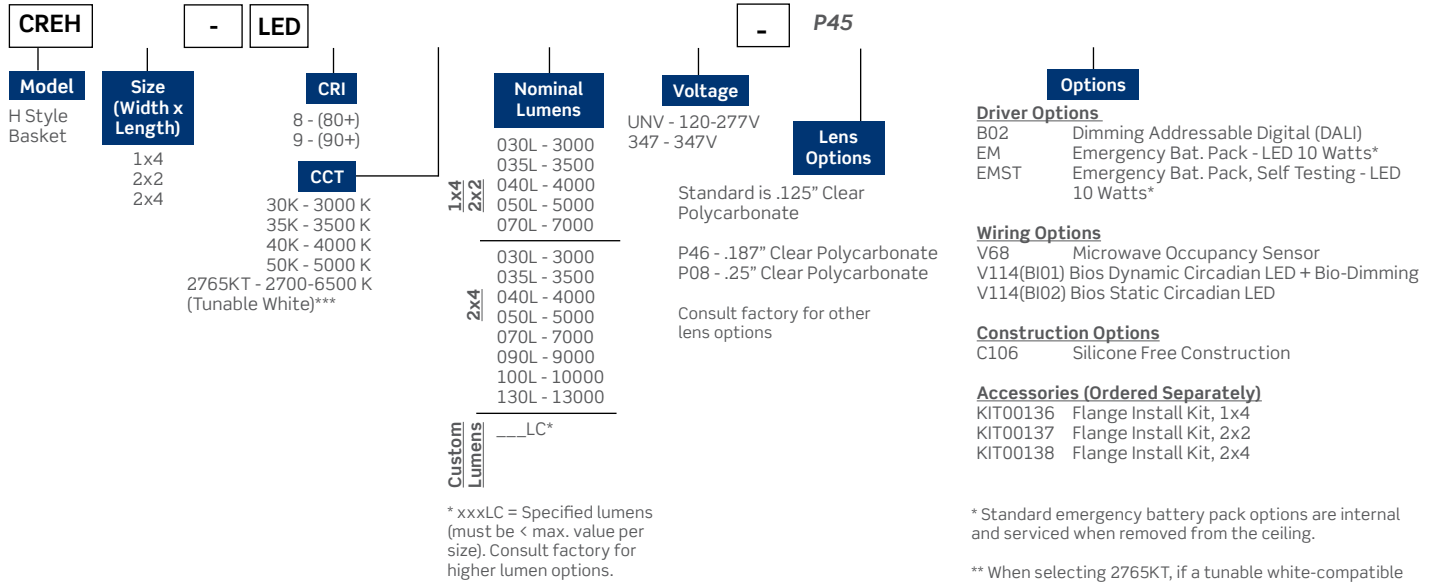
Consult installation guide for exact dimensions.



Project:	Catalog #:	Type:
Notes:		

**Order Key**

**EXAMPLE: CREH2x2-LED840K042LUNV-P45**



**Performance Data**

LED Performance Data				
Size	Nominal Lumens	Delivered Lumens	Watts	Lumens per Watt
1x4 2x2	3000	3024	22.5	134.4
	3500	3531	26.7	132.2
	4000	4027	31.0	129.8
	5000	5043	38.2	1332.1
	7000	7079	56.6	125.1
2x4	3000	3024	22.5	134.4
	3500	3531	26.7	132.2
	4000	4027	31.0	129.8
	5000	5043	38.2	132.1
	7000	7079	56.6	125.1
	9000	9144	71.8	127.3
	10000	10580	80.8	130.9
13000	13578	107.8	125.9	

Lumen Values are based on 4000K, 80 CRI performance. See lumen multipliers below for other CCT or CRI performance data.