

Project:	Catalogue #:	Type:
Notes:		

### Product Description

The MDWB series by Certolux is a specification-grade, wall mount, bidirectional, LED patient bed luminaire. Direct and indirect sources are standard as separate circuits providing independent control of reading and ambient illumination. Optional low voltage controllers provide a safe interface to existing bed level switching devices.

### Feature Options

- Emergency Battery Pack
- Switching Levels
- Radio Frequency Filter
- Low Voltage Controller
- Diffuse Lens Options
- Dimming Low Voltage Controller
- Sequential Low Voltage Controller
- Simple 4-Position pull chain for left or right sides



### Housing

Precision formed, welded, 12 gauge aluminum housing. Welded and PEM studs are used in order to mount components.

### Mounting

The mounting base plate is made of 16 gauge cold rolled steel. Mounting holes (6 for 48") are provided and one wire-way hole. Additional knockouts are provided for optional accessory wiring.

### Lens

The lamp compartment is protected by an inverted 0.125" pattern 12 lens prismatic Acrylic. The lens is secured with adjustable Z style brackets with weld studs on housing faceplate. Other lens options available. (See product ordering guide).

### Finish

The luminaire is powder painted matte white finish and offers a high reflectivity coating for improved lighting performance and efficiency. Anti-microbial finish is also available.

### Electrical

Long life LED's coupled with high efficiency drivers provide quality illumination. Rated to deliver an L80 performance >50,000 hours. The standard driver has a THD of <10%. Standard low-voltage dimming (0-10v, 1%). All electrical components are CSA or UL approved. A wire access plate is provided for wiring connections. Optional low voltage controller available for pillow switch operation (pillow switch by others), A low voltage dimming control is also available. (See ordering key for options).

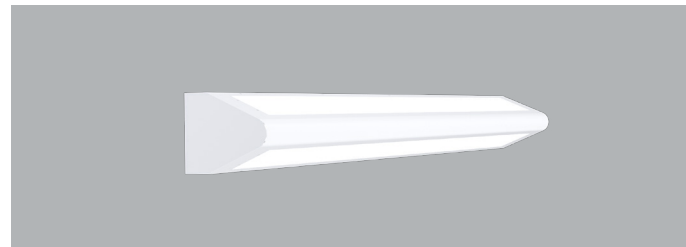
### Warranty

5 year limited warranty. For complete warranty, click here:

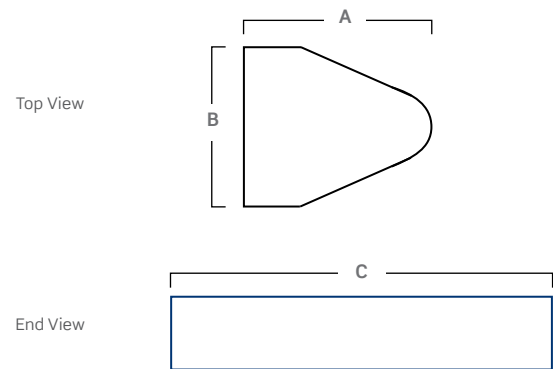


### Approvals

- Approved to CSA and UL standards.
- Suitable for Damp Location.



### Dimensions



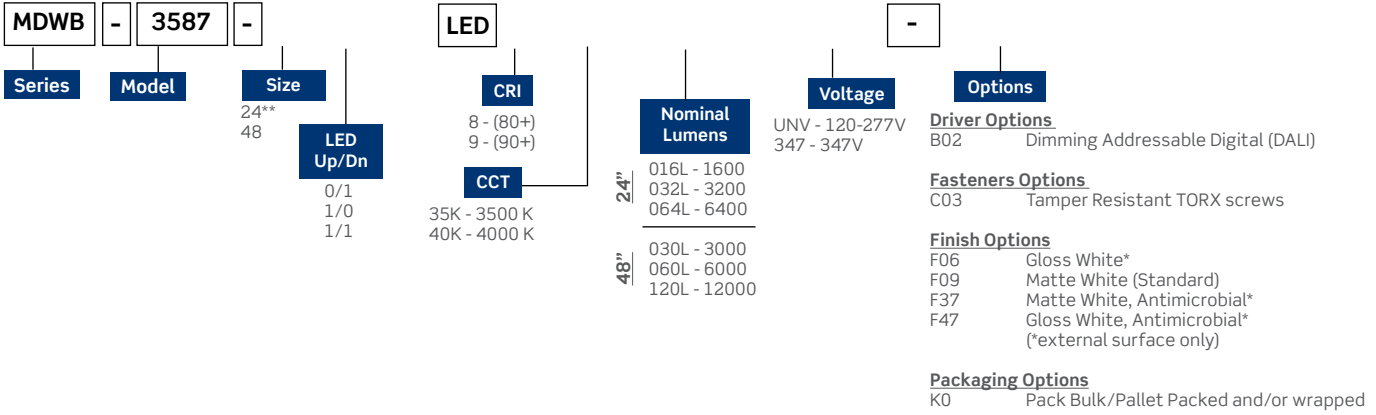
	Dimensions (inch) & Weights		
	A	B	C
48	7.75"	6.0"	49.16"

Consult installation guide for exact dimensions.

Project:	Catalogue #:	Type:
Notes:		

**Order Key**

**EXAMPLE: MDWB-3587-481/1-LED840K060LUNV**



Performance Data					
Size	LED Up/Dn Code	Lumens	System Watts	Lumens Up	Lumens Down
24	0/1	1600	13	-	1600
	1/0	1600	13	1600	-
	1/1	3200	27	1600	1600
	0/1	3200	27	-	3200
	1/0	3200	27	3200	-
	1/1	6400	53	3200	3200
48	0/1	3000	25	-	3000
	1/0	3000	25	3000	-
	1/1	6000	49	3000	3000
	0/1	6000	49	-	6000
	1/0	6000	49	6000	-
	1/1	12000	99	6000	6000

\* Lumen values are based on 4000K, 80 CRI performance. See Lumen Multipliers below for other CCT or CRI performance data.

- Lens Options**  
P13 .125 Clear Prismatic Acrylic Pattern 12
- Switching Options**  
S1 Switch Pull Chain  
S2 Switch Pull Chain 3 way  
S3 Switch Rocker  
(Add (L) or (R) following switch option to define location left or right side as viewed from foot of bed).
- Fusing & Breaker Options**  
T6 Fuseholder, In-line Single Pole
- Wiring Options**  
V25 Radio Frequency Filter  
V39 Night Light - White LED  
V40 Low Voltage Controller (No Dimming)  
V40(D) Low Voltage Controller (Dimmable)  
V53 Outlet Receptacle with GFI  
V54(15A) Single Outlet Receptacle Hospital Grade 15A 125V White  
V54(15Ax2) Single Outlet Receptacle Hospital Grade 15A 125V x 2 White  
V54(20A) Single Outlet Receptacle Hospital Grade 20A 125V White  
V54(20Ax2) Single Outlet Receptacle Hospital Grade 20A 125V x 2 White
- Accessory**  
KIT00311 Ligature Resistant Pull Chain breakable cord (4')

\*\* 24" size is not available with LVC or any listed wiring options shown below.

Other options may be available, consult factory. Specifications and data subject to change without notice.

