

Project:	Catalog #:	Type:
Notes:		

Product Description

The VRSE-5 series by Certolux is a specification-grade LED architectural luminaire for high abuse/vandal resistant applications. The housing is an extruded aluminum construction with die-cast end plates. The polycarbonate lens and tamper resistant fasteners allow this unit to be used in high abuse areas. The luminaire can be ceiling or wall mounted and is suitable for wet locations (ceiling mount) and damp locations (wall mount). Ideal for Schools, Community centers, and Stairwells. Operating ambient temperature range as low as -30°C to as high as 40°C on most models.

Feature Options

- Die Cast Endcaps
- Extruded aluminum housing
- Standard low voltage dimming (0-10v)
- ADA compliant design with Emergency
- Surface Mount to Wall or Ceiling
- Available in 2,3, 4, 6 and 8 foot assemblies

Options

- IP65 Water and Dust resistance
- Integral Emergency Driver
- Continuous Row Mounting



Housing

Heavy gauge marine grade extruded aluminum with die-cast end caps. Includes knockouts for surface conduit and tandem or row mounting.

Endcap

Precision die cast marine grade low copper aluminum. Choose from flat or radius styles. Conduit entry is obscured.

Lens & Lens Retention

Standard lens; Opal, high impact extruded UV stabilized polycarbonate. Smooth external surface for easy cleaning. Retained and locked by stainless steel tamper-resistant Torx™ fasteners with center rejection pins. See order code for other options.

Gasket Systems

Highly resilient and chemical resistant CertaSeal microcellular closed-cell gasket seals lens to the housing and Endcaps. Optional neoprene gasket for surface/ ceiling interface. IP65 option includes flush endcap screws.

LED

LED board modules are high efficiency and closely regulated to maintain CRI, color consistency, lumen performance, and efficacy. Select from 3000K, 3500K, 4000K, and 5000K color temperatures with a color consistency of 3 SDCM, standard 80 CRI, optional 90 CRI. Tunable White CCT range is 2700-6500K. Lifetime L70 is greater than 60,000 hrs. Modules are field replaceable and commercially available. Optional amber and red LEDs arrays available alone or in combination with white LEDs. Tunable White and Bios SkyBlue® options are also available.

Electrical

The standard electronic driver is constant current, programmable and dimmable to 1% using a 0-10V protocol. High efficiency (>85%) and low THD (<10%). Certified to FCC Part 15, Class A. 120-277Vac or 347Vac, 50/60hz. See "Options" for Lutron™ or DALI driver choices. Internal Emergency Drivers are serviceable from the room side unless otherwise.

Finish

5 Stage pretreatment and textured architectural white polyester powder coated after fabrication. Optional gloss white polyester powder coating is optional. Custom Colors are available, consult factory for details.

Installation

Two point mounting for 24", 36" & 48" nominal size. Four point mounting for 72" and 96" nominal size. Row mounting requires selection of M56, M57 or M58 options to properly arrange rows. Row mounting provides through wiring to adjacent fixtures. Surface conduit connections are available at each end of fixture and rows. For Pendant mount see VRSD-5. Ambient operating temperature: -22°F (-30°C) to 104°F (40°C). Surface conduit connections are available at each end of fixture and rows via hidden break-away knockouts.

Listings, Certifications and Ratings

UL listed for wet locations ceiling mounted. Suitable for Damp locations when wall mounted. (CAN & USA, ANSI/UL1598 & UL8750). IEC60598 IP64 or optional IP65 (Certified dust-tight and resistant to jets of water). Exceeding IK10 impact resistance rating.

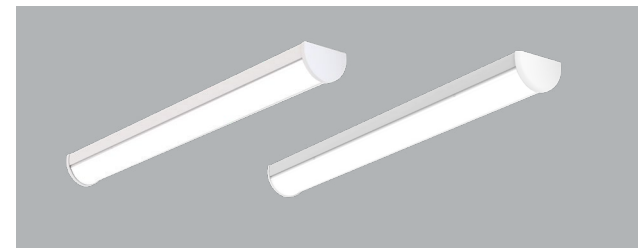
Warranty

10 Year Limited Warranty for LEDs. Unbreakable Warranty against abuse.

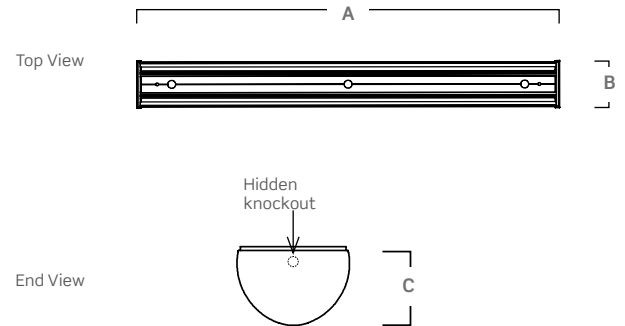


Warranty

Approvals



Dimensions



	Dimensions (inch) & Weights		
	A	B	C
24	24"	5 5/16"	3 1/2"
36	35"	5 5/16"	3 1/2"
48	47 1/4"	5 5/16"	3 1/2"
72	69 5/8"	5 5/16"	3 1/2"
96	94 1/4"	5 5/16"	3 1/2"

Consult installation guide for exact dimensions.

Project:	Catalog #:	Type:
Notes:		

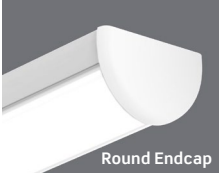
Order Key

EXAMPLE: VRSE5-48RC-LED840K055LUNV-DPP

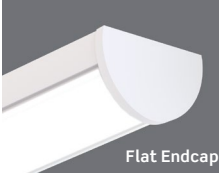
VRSE	5	-	LED	-
Series	Type	Endcap	CRI	Voltage
24	FC - Flat	8 - (80+)	UNV - 120-277V	Lens
36	RC - Rounded	9 - (90+)	347 - 347V	
Size		CCT	Nominal Lumens	
48		30K - 3000 K	White	
72 (2x36)		35K - 3500 K	025L - 2500	
96 (2x48)		40K - 4000 K	035L - 3500	
		50K - 5000 K	025L - 2500	
		AMB - Amber***	035L - 3500	
		2765KT-2700-6500K** (Tunable White)	055L - 5500	
			070L - 7000	
			110L - 11000	

Options	Driver Options
	B02 Dimming Addressable Digital (DALI)
	B39 Emergency Bat. Pack -LED 10 Watts *
	B39(ST) Emergency Bat. Pack, Self Testing -LED 10 Watts *
	V33 Two Circuit Switching
	Wiring Options
	T6 Fuse and fuseholder (internal)
	V25 Radio Frequency Filter
	V55 Sealed Wireway
	V68 Microwave Occupancy Sensor
	Construction Options
	C64 Natorium Construction
	C120 No lens screws*
	Finish Options
	- Textured Architectural White (Std)
	F99 Custom Color
	C77 Color Matched Stainless lens Screws
	F06 Gloss White Polyester Powder Coat
	Certification
	X8 IP65 Rated (Surface Mount Only)
	Mounting Options
	M56 Start of Row Fixture
	M57 Middle of Row Fixture
	M58 End of Row Fixture
	Not Available with IP65 Option (X8)

96" (2x48)	72" (2x36)	36" 24"
-------------------	-------------------	----------------



Round Endcap



Flat Endcap

xxxLC= Specified lumens (must be < max. value per size) Consult factory for higher lumen options.

Performance Data				
Size	Nominal Lumens	Delivered Lumens	Watts	Efficacy
24	2500	2542	19.3	131.5
	3500	3524	27.8	126.8
36	2500	2569	19.0	135.4
	3500	3529	26.6	132.0
48	3500	3555	26.3	135.1
	5500	5583	42.8	130.3
72 (2x36)	5000	5138	38	135.2
	7000	7058	53.2	132.7
96 (2x48)	7000	710	52.6	135.2
	11000	11166	85.6	130.4

* Standard emergency battery packs are 90 minutes, 32°F/0°C (4' only)

** When Selecting 2765KT, if a tunable white-compatible control is not selected the luminaire will come standards with two sets of 0-10V wires for dimming and color tuning. For compatible control options please consult factory

*** Do not specify a CRI for Amber CCT Source

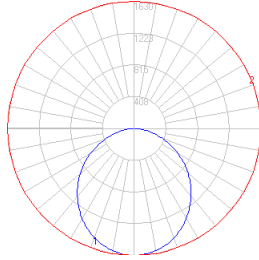
Abuse warranty not provided without lens screws

* Lumen values are based on 4000K, 80 CRI performance. See Lumen Multipliers below for other CCT or CRI performance data.

Project:	Catalog #:	Type:
Notes:		

Photometric Performance

Characteristics	
Luminaire Lumens	5583
Efficacy Rating	130
Total Luminaire Watts	42.8
Spacing Criterion (0-180)	1.28
Spacing Criterion (90-270)	1.24
Spacing Criterion (Diagonal)	1.38

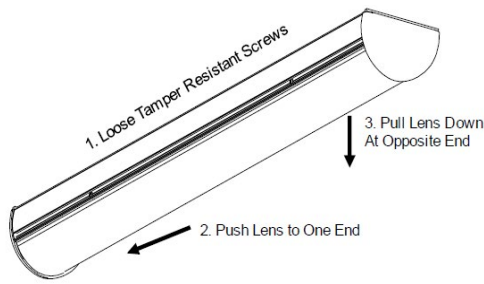


Luminance Data (cd/sq.m)			
Degrees	0-Deg	45-Deg	90-Deg
45	13248	9806	8676
55	13579	8847	7284
65	14598	7900	5591
75	17652	7045	3375
85	31611	6536	659

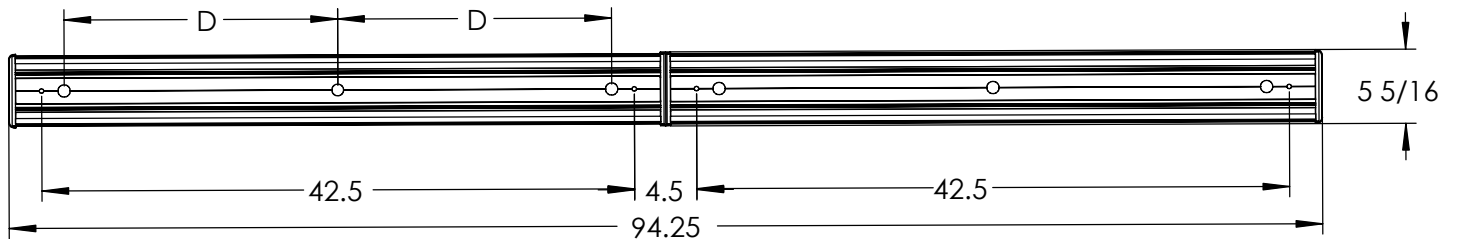
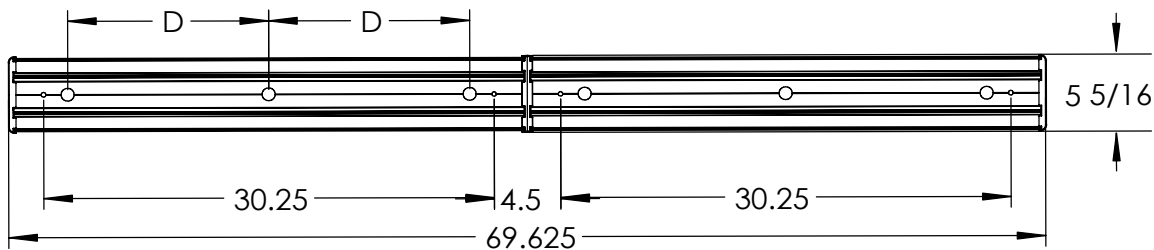
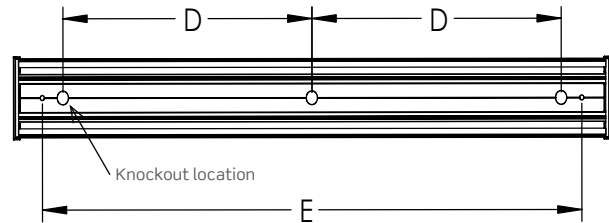
Zonal Lumens	
Zone	Lumens
0-30	1260
0-40	2067
0-60	3707
0-90	5180
90-180	403

Installation Details

Fixture Opening Method



Surface Mount (all mounting point required)



	A	B	C	D	E
24	24"	5 5/16"	3 1/2"	-	19 1/4"
36	35"	5 5/16"	3 1/2"	13 1/2"	30 1/4"
48	47 1/4"	5 5/16"	3 1/2"	20"	42 1/2"
72	69 5/8"	5 5/16"	3 1/2"	13 1/2"	-
96	94 1/4"	5 5/16"	3 1/2"	20"	-