

Project:	Catalogue #:	Type:
Notes:		

**Product Description**

Commercial-grade, LED strip luminaire. Ideal for many applications requiring a low cost, small profile, lighting solution.

**Applications**

Coves, Enclosed parking garages, Retail Shelving, Industrial Racks, Utility Areas



**Features**

- Shallow design
- Surface or suspension mountable
- Available in nominal length of 24, 48, & 96 inches
- Continuous raceway and row-mounting capability
- 80+ CRI
- Standard low voltage dimming (0-10v)

**Featured Options**

- Speedy hangers
- Aircraft cable set
- Emergency lighting battery pack

**Optical System**

Standard units are supplied with frosted extruded micro-grooved round polycarbonate lens.

**Mounting**

Mounting holes are provided. This product can be surface or suspension mounted.

**Construction**

Die and brake-formed, code gauge, steel housing and ends. Knockouts are provided for conduit attachment.

**Finish**

White, pre-painted housing.

**Electrical**

Long life LEDs coupled with high efficiency drivers provide quality illumination. Rated to deliver L80 performance > 50,000 hours. Supplied with dimmable drivers (0-10v).

**Warranty**

5 year limited warranty. For complete warranty, click here: [5YR Warranty](#)

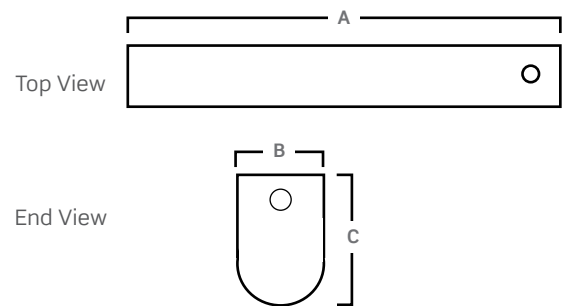
**Approvals**

- Approved to CSA and UL standards.
- Tested in accordance to IESNA LM-79.
- Suitable for damp locations.
- DesignLights Consortium® Qualified.

All configurations may not be DLC qualified. Check [www.designlights.org/QPL](http://www.designlights.org/QPL) for qualified configurations.



**Dimensions**



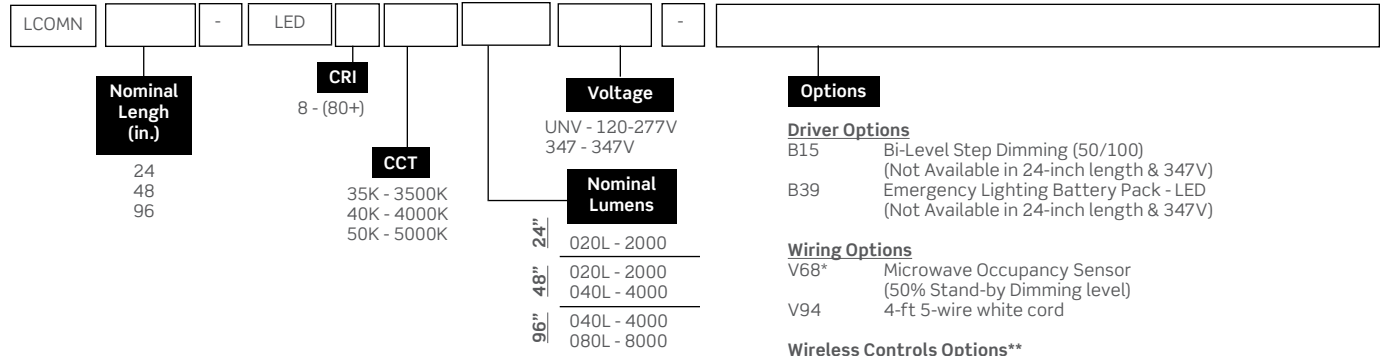
Size	A	B	C
24"	22 7/8"	2 1/16"	2 7/8"
48"	44 7/8"	2 1/16"	2 7/8"
96"	89 1/4"	2 1/16"	2 7/8"

Consult installation guide for exact dimensions.

Project:	Catalogue #:	Type:
Notes:		

**Order Key**

**EXAMPLE: LCOMN96-LED835K040LUNV**



\* Not to be used with step dimming (B15). Integrated sensor adds 2.5 inches to standalone fixture length.

\*\* Some controls may impact on standalone fixture length. Consult factory for exact dimensions.

Other options may be available, consult factory. Specifications and data subject to change without notice.

**Performance Data**

LED Performance Data				
Size	Nominal Lumens	Delivered Lumens	Watts	Lumens per Watt
24	2000	2037	14.4	141.2
48	2000	2059	13.7	150.8
	4000	4274	30.5	140.2
96	4000	4407	29.4	150.1
	8000	7982	56.4	150.1

Values based on 840K with standard lens at 25C

**Performance Scaling Factor**

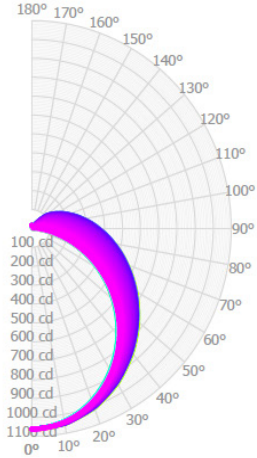
	50K	40K	35K	30K
80CRI	1.000	1.000	0.960	0.946
90CRI	0.875	0.875	0.836	0.809

Mounted Accessories (Ordered Separately)	
KIT00001	Chain Set (2) 4ft w/ S-hooks.M10
KIT00002	Speedy Hangers (2).M23
KIT00003	Stem & Canopy Set 3/8"IP (2) 4ft.M26
KIT00043	Aircraft Cable & Canopy Set (2) 4ft.M48 (Cord not included with the kit)
KIT00044	Stem & Canopy Set Sloped Ceilings (2) 3ft.M29
KIT00045	Stem & Canopy Set Sloped Ceilings (2) 4ft.M29
KIT00046	Stem & Canopy Set Sloped Ceilings (2) 6ft.M29
KIT00047	Stem & Canopy Set 3/8"IP (2) 2ft.M26
KIT00048	Stem & Canopy Set 3/8"IP (2) 1ft.M26
KIT00050	Stem & Canopy Set 3/8"IP (2) 3ft.M26
KIT00053	Stem & Canopy Set 3/8"IP (2) 6ft.M26

Project:	Catalogue #:	Type:
Notes:		

**Photometrics**

IES File: **LCOMN48-LED840K040LUNV**  
 Lumens: **4179**  
 Wattage: **31**  
 Eff cacy: **135**



**Zonal Lumen Summary**

Zone	Lumens	%Fixture
0.0° - 30.0°	827	19.8%
0.0° - 40.0°	1364	32.6%
0.0° - 60.0°	2488	59.5%
0.0° - 90.0°	3641	87.1%
0.0° - 110.0°	3989	95.5%
0.0° - 130.0°	4137	99.0%
0.0° - 150.0°	4166	99.7%
0.0° - 170.0°	4177	100.0%
0.0° - 180.0°	4179	100.0%

**Coefficients of Utilization**

pc	80%			70%			50%		
	70%	50%	30%	70%	50%	30%	70%	50%	30%
pw	116	116	116	112	112	112	104	104	104
0	103	97	92	99	94	89	91	87	83
1	93	84	76	89	81	73	82	75	69
2	84	73	64	81	70	62	74	65	58
3	77	64	55	73	62	53	67	58	50
4	70	57	47	67	55	46	62	51	44
5	65	51	42	62	49	41	57	46	39
6	60	46	37	58	45	36	53	42	34
7	56	42	33	54	41	32	49	38	31
8	52	38	30	50	37	29	46	35	28
9	49	35	27	47	34	27	43	32	26
10									

**Average Luminance Table (cd/m2)**

	0.00°	45.00°	90.00°
0.00°	18257	18257	18257
45.00°	16045	13336	13218
55.00°	14944	12320	12531
65.00°	13292	11448	12054
75.00°	10377	10871	11884
85.00°	4558	10900	12249

Effective Floor Cavity Reflectance: 20%