

Project:	Catalogue #:	Type:
Notes:		

**Product Description**

Premium-grade, LED strip luminaire. For use with indoor applications. Suitable for continuous row-mounting.

**Applications**

Commercial Spaces, Hallways, Stairwells



**Features**

- Shallow design
- Surface or suspended mountable
- Available in 24 and 48 inch lengths
- Continuous raceway and row-mounting capability
- 80+ CRI
- Standard low voltage dimming (0-10v)

**Featured Options**

- Emergency lighting battery pack

**Optical System**

Frosted extruded micro-grooved acrylic lens.

**Mounting**

Key holes provided for easy mounting. Ceiling and wall surface mount fixture contains no offsets or exposed fastener heads.

**Construction**

CNC brake-formed, code gauge, steel housing and ends. End caps are screw fastened. Knockouts are provided for conduit attachment.

**Finish**

White, polyester powder painted housing.

**Electrical**

Long life LEDs coupled with high efficiency drivers provide quality illumination. Rated to deliver L80 performance > 50,000 hours.

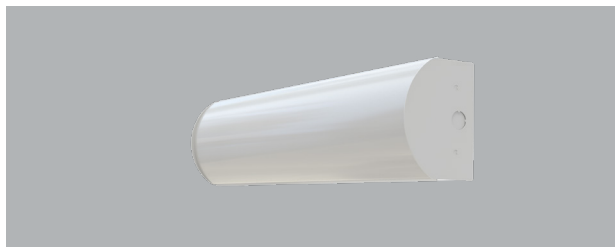
**Warranty**

5 year limited warranty. For complete warranty, click here: 

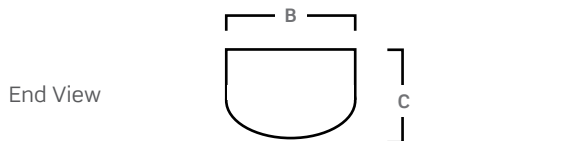
**Approvals**

- Approved to CSA and UL standards.
- Tested in accordance to IESNA LM-79.
- Suitable for damp locations.
- TAA Compliant.
- DesignLights Consortium® Qualified.

All configurations may not be DLC qualified. Check [www.designlights.org/QPL](http://www.designlights.org/QPL) for qualified configurations.



**Dimensions**



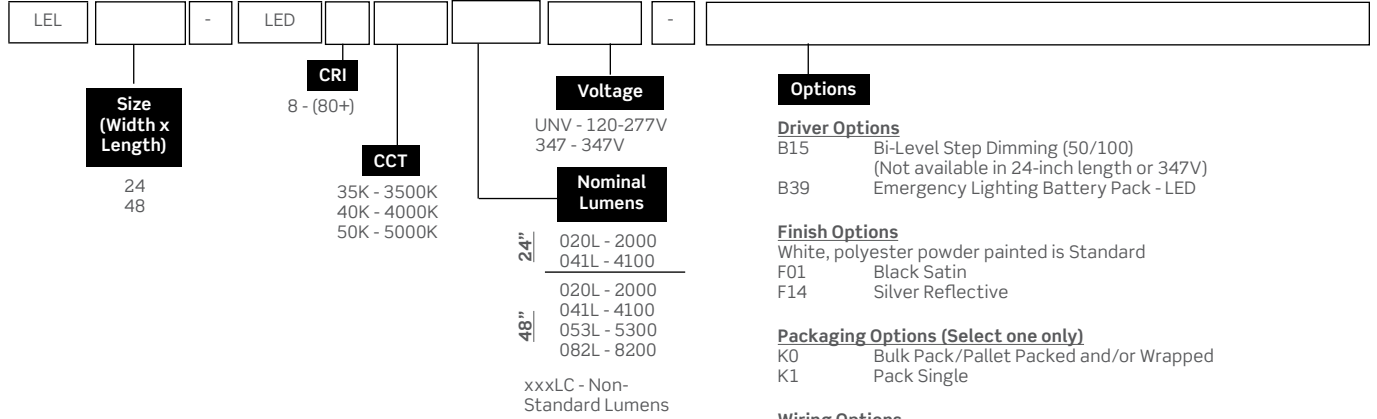
Size	A	B	C
24"	23 1/16"	5 1/2"	4 1/8"
48"	45 1/16"	5 1/2"	4 1/8"

Consult installation guide for exact dimensions.

Project:	Catalogue #:	Type:
Notes:		

Order Key

EXAMPLE: LEL48-LED840K41LUNV-V68



- Driver Options**
- B15 Bi-Level Step Dimming (50/100) (Not available in 24-inch length or 347V)
  - B39 Emergency Lighting Battery Pack - LED

- Finish Options**
- White, polyester powder painted is Standard
  - F01 Black Satin
  - F14 Silver Reflective

- Packaging Options (Select one only)**
- K0 Bulk Pack/Pallet Packed and/or Wrapped
  - K1 Pack Single

- Wiring Options**
- V08<sup>+</sup> Flexible Cord Feed (Single Circuit Cord) 6-ft
  - V68<sup>++</sup> Microwave Occupancy Sensor \*\* (50% Stand-by Dimming level)
  - V78<sup>+</sup> 0-10V Flexible Cord 6-ft.
  - V94 4-ft 5-wire white cord

**Controls Options**  
For advanced wireless controls [Click Here](#).

<sup>+</sup> For pendant mounted applications only. Not for use in surface mount applications.  
<sup>++</sup> Not to be used with step dimming (B15).  
<sup>\*\*</sup> Consult factory for 347V availability.

Other options may be available, consult factory. Specifications and data subject to change without notice.

Performance Data

LED Performance Data				
Size	Nominal Lumens	Delivered Lumens	Watts	Lumens Per Watt
24	2000	2054	15.2	139.7
	4100	4240	30.5	139.1
48	2000	2043	13.7	149.5
	4100	4240	30.5	139.1
	5300	5359	36.6	146.5
	8200	8480	61	139.1

Values based on 840K with standard lens at 25C

Performance Scaling Factor

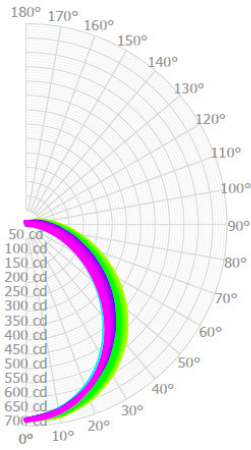
	50K	40K	35K	30K
80CRI	1.000	1.000	0.960	0.946
90CRI	0.875	0.875	0.836	0.809

Mounted Accessories (Ordered Separately)	
KIT00001	Chain Set (2) 4ft w/ S-hooks.M10
KIT00002	Speedy Hangers (2).M23
KIT00003	Stem & Canopy Set 3/8"IP (2) 4ft.M26
KIT00043	Aircraft Cable & Canopy Set (2) 4ft.M48 (Cord not included with the kit)
KIT00044	Stem & Canopy Set Sloped Ceilings (2) 3ft.M29
KIT00045	Stem & Canopy Set Sloped Ceilings (2) 4ft.M29
KIT00046	Stem & Canopy Set Sloped Ceilings (2) 6ft.M29
KIT00047	Stem & Canopy Set 3/8"IP (2) 2ft.M26
KIT00048	Stem & Canopy Set 3/8"IP (2) 1ft.M26
KIT00050	Stem & Canopy Set 3/8"IP (2) 3ft.M26
KIT00053	Stem & Canopy Set 3/8"IP (2) 6ft.M26

Project:	Catalogue #:	Type:
Notes:		

**Photometrics**

IES File: **LEL48-LED840K020LUNV**  
 Lumens: **2047**  
 Wattage: **17.2**  
 Efficacy: **119**



**Zonal Lumen Summary**

Zone	Lumens	%Fixture
0.0° - 30.0°	517	25.3%
0.0° - 40.0°	838	41.0%
0.0° - 60.0°	1453	71.0%
0.0° - 90.0°	1929	94.2%
0.0° - 110.0°	2006	98.0%
0.0° - 130.0°	2028	99.1%
0.0° - 150.0°	2039	99.6%
0.0° - 170.0°	2046	100.0%
0.0° - 180.0°	2047	100.0%

**Coefficients of Utilization**

pc	80%			70%			50%		
	pw	70%	50%	30%	70%	50%	30%	70%	50%
0	118	118	118	114	114	114	108	108	108
1	106	101	96	103	98	94	97	93	89
2	96	88	81	93	85	79	87	81	75
3	88	77	68	85	75	67	79	71	64
4	80	68	59	78	66	58	72	63	56
5	74	61	52	71	59	51	67	57	49
6	68	55	46	66	54	45	62	51	44
7	63	50	41	61	49	40	57	47	39
8	59	45	37	57	44	36	54	43	35
9	55	42	33	53	41	33	50	39	32
10	52	38	30	50	38	30	47	36	29

**Average Luminance Table (cd/m2)**

CP Summary			
	0.00°	45.00°	90.00°
0.00°	2982	2982	2982
45.00°	2327	2521	2704
55.00°	2020	2341	2614

Effective Floor Cavity Reflectance: 20%