

Project:	Catalogue #:	Type:
Notes:		

Product Description

Commercial-grade, recessed, lay-in T-Bar troffer featuring a wide curved lens for even light distribution. This fixture offers a modern architectural styling with a high visual comfort. For use with indoor applications where low-glare, high-quality and ease of installation are required. This IC-rated luminaire's low-profile design is ideal for shallow or obstructed plenum applications.

Applications

Office Areas, Retail Stores, Classrooms, Corridors, Hospitals, Nursing Homes



Features

- Enhanced, uniform lighting delivers a balanced amount of light to walls, cubicles, work surfaces and people
- Diffuser is pressure-fitted into place to create a clean looking, easy maintenance lens
- Standard low voltage dimming (0-10v)
- Available in 2x2 and 2x4 configurations
- For use in insulated ceilings

Featured Options

- Emergency lighting battery pack
- Flexible metal whip - 6 foot x 3/18 gauge conductors

Optical System

Curved frosted polycarbonate diffuser, offers high levels of efficiency and visual comfort. Indirect reflectors are precision formed and contoured to provide soft, lowglare, indirect illumination, while maintaining high-efficiency and a wide, uniform light distribution.

Mounting

This luminaire has been specifically designed for T-Bar applications. Integral earthquake clips for additional support.

Construction

Die-formed, code gauge steel housing. Precision-formed steel reflector.

Finish

White, polyester powder painted housing.

Electrical

Long life LEDs coupled with high efficiency drivers provide quality illumination. Rated to deliver L80 performance > 50,000 hours.

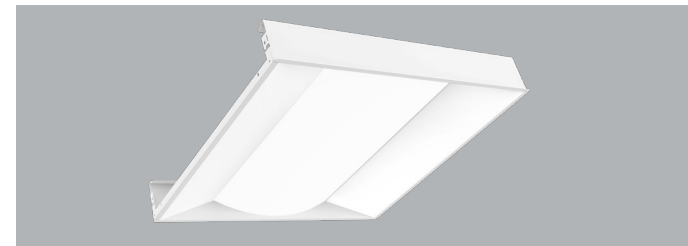
Warranty

5 year limited warranty. For complete warranty, click here: 

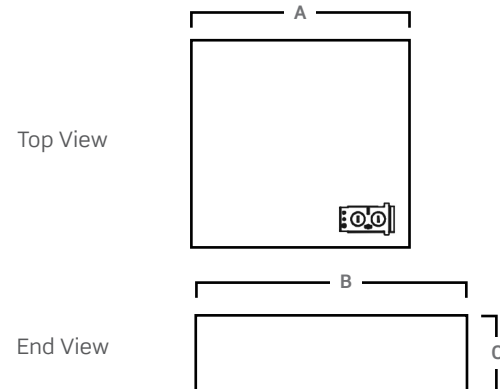
Approvals

- Approved to CSA/UL standards. UL listed for insulated ceilings.
- Tested in accordance to IESNA LM-79.
- Suitable for damp locations.
- DesignLights Consortium® Qualified

All configurations may not be DLC qualified. Check www.designlights.org/QPL for qualified configurations



Dimensions



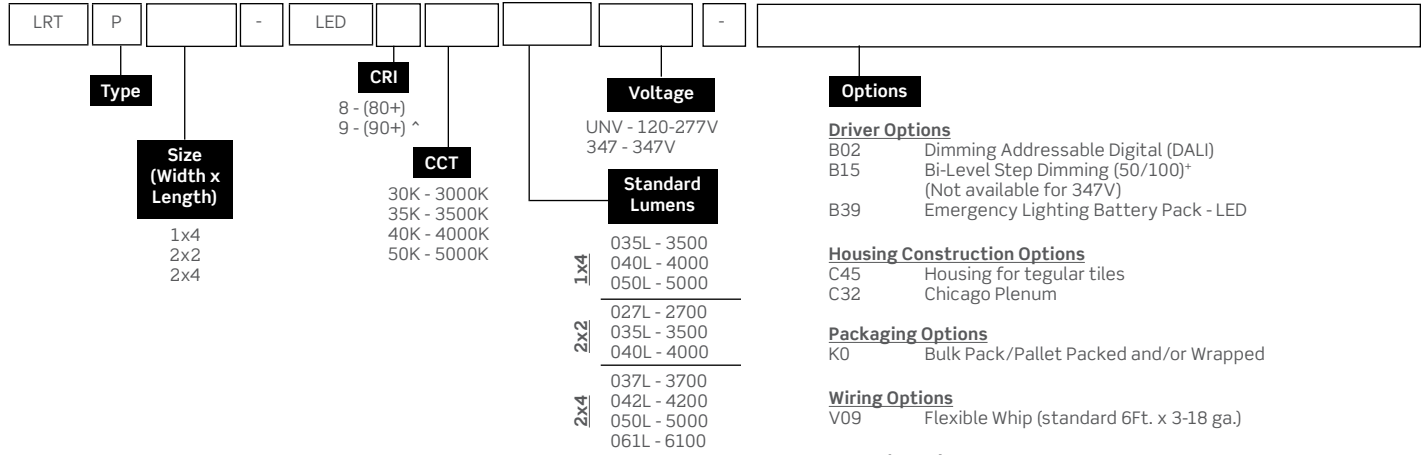
Size	A	B	C
1x4	47 3/4"	11 3/4"	3 1/2"
2x2	23 3/4"	23 3/4"	3 1/2"
2x4	47 3/4"	23 3/4"	3 1/2"

Consult installation guide for exact dimensions.

Project:	Catalogue #:	Type:
Notes:		

Order Key

EXAMPLE: LRTP2X2-LED840K035LUNV



^ 90+ CRI reduces lumen output by 20%, not available with 5000K
 + Not available for 347V. Consult factory for configuration details

Other options may be available, consult factory. Specifications and data subject to change without notice.

Performance Data

LED Performance Data				
Size	Nominal Lumens	Delivered Lumens	Watts	Lumens Per Watt
1x4	3500	3945	26.8	147.1
	4000	4295	29.4	146.3
	5000	5059	35	144.6
2x2	2700	3044	21.2	143.9
	3500	3886	27.8	139.8
	4000	4216	30.5	138.3
2x4	3700	3991	26.8	148.8
	4200	4346	29.4	148
	5000	5049	34.5	146.4
	6100	6087	42.3	143.9

Values based on 840K with standard lens at 25C

Performance Scaling Factor

	50K	40K	35K	30K
80CRI	1.000	1.000	0.960	0.946
90CRI	0.875	0.875	0.836	0.809

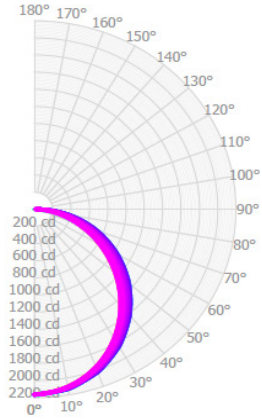
Flange Kits (Ordered Separately)	
Size (Width x Length)	Item No.
1x4	KIT00136
2x2	KIT00137
2x4	KIT00138

Surface Kits (Ordered Separately)	
Size (Width x Length)	Item No.
1x4	KIT00373
2x2	KIT00374
2x4	KIT00375

Project:	Catalogue #:	Type:
Notes:		

Photometrics

IES File: **LRTP2X4-LED840K061LUNV**
 Lumens: **6168**
 Wattage: **43**
 Efficacy: **143**



Zonal Lumen Summary

Zone	Lumens	%Fixture
0.0° - 30.0°	1662	27.0%
0.0° - 40.0°	2710	43.9%
0.0° - 60.0°	4764	77.2%
0.0° - 90.0°	6168	100.0%
0.0° - 110.0°	6168	100.0%
0.0° - 130.0°	6168	100.0%
0.0° - 150.0°	6168	100.0%
0.0° - 170.0°	6168	100.0%
0.0° - 180.0°	6168	100.0%

Coefficients of Utilization

ρc ρw	80%			70%			50%		
	70%	50%	30%	70%	50%	30%	70%	50%	30%
0	119	119	119	116	116	116	111	111	111
1	108	103	99	106	101	97	100	97	93
2	98	90	83	96	88	81	91	84	79
3	89	79	70	87	77	69	82	74	67
4	82	70	61	80	68	60	75	66	58
5	75	62	53	73	61	52	69	59	51
6	69	56	47	68	55	46	64	53	46
7	64	51	42	63	50	42	59	48	41
8	60	46	38	58	46	37	55	44	37
9	56	43	34	55	42	34	52	41	33
10	53	39	31	51	39	31	49	38	31

**Average Luminance Table
(cd/m2)
CP Summary**

	0.00°	45.00°	90.00°
0.00°	2977	2977	2977
45.00°	2565	2681	2824
55.00°	2391	2568	2767
65.00°	2181	2454	2712
75.00°	1907	2353	2631
85.00°	1103	2292	2568

Effective Floor Cavity Reflectance: 20%