

Project:	Catalogue #:	Type:
Notes:		

Product Description

Premium-grade, surface-mounted, ceiling luminaire featuring a shallow elliptical center lens. For use with indoor applications where aesthetics, quality and standard 0-10v dimming is required. Features hinged and latched door frame with integral lens and optics.

Applications

Office Areas, Retail Stores, Classrooms, Corridors, Hospitals

Features

- Enhanced, uniform lighting delivers a balanced amount of light to walls, cubicles, work surfaces and people
- Clean appearance - no exposed fasteners
- Shallow design
- Mitred corners
- Extruded acrylic diffuser
- 80+ CRI
- Standard low voltage dimming (0-10V, 1%)
- Available in 1x4, 2x2 and 2x4 configurations

Featured Options

- Emergency Lighting Battery Pack
- Step Dimming
- Optional Lenses, see ordering key

Optical System

Linear prismatic extruded frosted acrylic diffuser offers high levels of efficiency and visual comfort. Indirect reflectors are precision formed and contoured to provide soft, low-glare, indirect illumination, while maintaining high-efficiency and a wide, uniform light distribution.

Mounting

Holes provided for chain-mounting support to building structure. Offset mounting pad, which keep luminaire level and slightly off of mounting surface, are formed within the housing. Optional aircraft cable assemblies and canopy sets are available.

Construction

CNC brake-formed, code gauge steel housing and ends. Precision-formed steel reflector. Diffuser is held within a hinged door frame. The heavy-gauge door frame hinges downward on either side, and is held in the closed position by two positive cam latches.

Finish

White polyester powder painted surfaces standard. Consult rep for other finishes.

Electrical

Long life LEDs coupled with high efficiency drivers provide quality illumination. Rated to deliver L80 > 50,000 hours.

Warranty

5 year limited warranty. For complete warranty, click here:



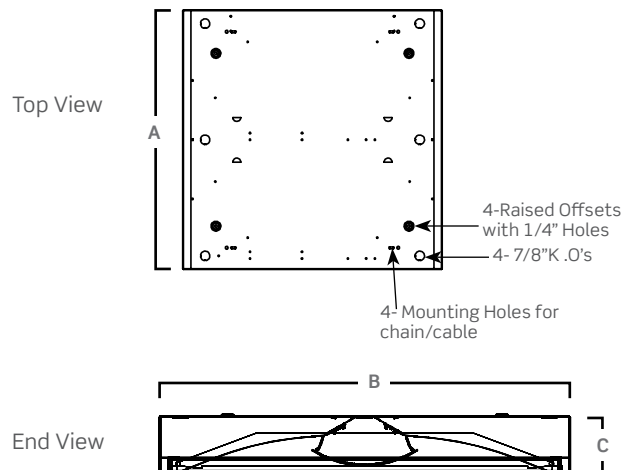
Approvals

- Approved to CSA/UL standards.
- Suitable for damp locations.
- DesignLights Consortium® Qualified.

All configurations may not be DLC qualified. Check www.designlights.org/QPL for qualified configurations.



Dimensions



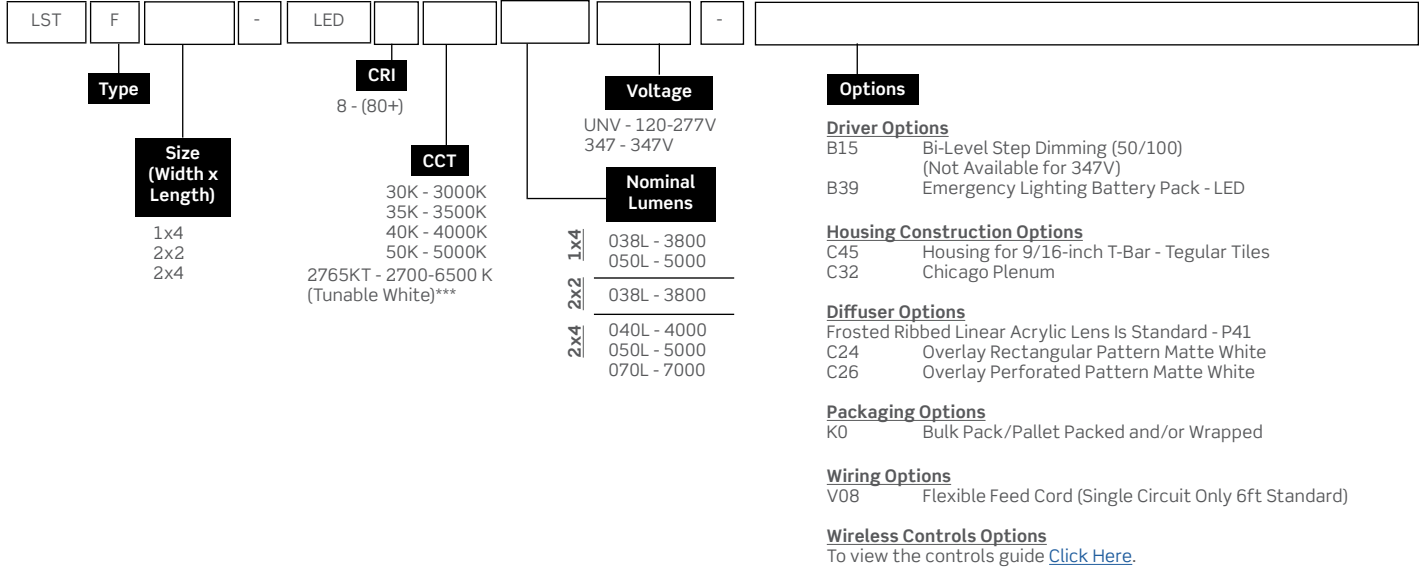
Size	A	B	C
1x4	47 3/4"	13 3/4"	3 3/16"
2x2	23 3/4"	23 3/4"	3 3/16"
2x4	47 3/4"	23 3/4"	3 3/16"

Consult installation guide for exact dimensions.

Project:	Catalogue #:	Type:
Notes:		

Order Key

EXAMPLE: LSTF2x4-LED835K038LUNV



*** When Selecting 2765KT, if a tunable white-compatible control is not selected the luminaire will come standard with two sets of 0-10V wires for dimming and color tuning (see tunable white diagram for details). For compatible control options please consult factory. Other options may be available, consult factory. Specifications and data subject to change without notice.

Performance Data

LED Performance Data				
Size	Nominal Lumens	Delivered Lumens	Watts	Lumens Per Watt
1x4	3800	3824	24	159.1
	5000	5031	32.2	156.4
2x2	3800	3828	26.5	144.7
2x4	4000	4033	26.1	154.8
	5000	5025	32.9	152.5
	7000	7028	47.6	147.7

Values based on 840K with standard lens at 25C

Mounted Accessories (Ordered Separately)

- KIT00001 MOUNTING CHAIN SET (2) 4FT W/ S-HOOKS.M10
- KIT00022 MOUNTING CHAIN SET (2) 3FT W/ S-HOOKS.M10
- KIT00040 MOUNTING CHAIN SET (2) 6FT W/ S-HOOKS.M10
- KIT00042 MOUNTING CHAIN SET (2) 12FT W/ S-HOOKS.M10
- KIT00004 AIRCRAFT "Y" CABLE (10FT) WITH ADJUSTABLE GRIP (2).M36
- KIT00018 S-HOOKS ONLY (SET OF 4) FOR C/S CHAIN.M45

Tunable White

When Selecting 2765KT, if a tunable white-compatible control is not selected the luminaire will come standard with two sets of 0-10V wires for dimming and color tuning. For compatible control options please consult factory.

Dim and CCT control wire colors are subject to change without notice. All control wires are marked per the parentheses.

